

The OREL logo consists of the word "OREL" in white, uppercase, sans-serif font, centered within a solid red rectangular background.

Empowering
Humanity

Your choice of cutting edge solutions
in Industrial & Weatherproof Switches, Sockets & Plugs

The logo for ORANGE ELECTRIC features a stylized power symbol (a circle with a vertical line through it) in red and black to the left of the word "ORANGE" in a large, bold, black, sans-serif font. Below "ORANGE" is the word "ELECTRIC" in a smaller, black, sans-serif font. A registered trademark symbol (®) is located at the top right of the word "ORANGE".

OREL



Empowering Humanity

We are a multinational company, in Electrical, Lighting and Digital infrastructure products, we employ in excess of 3685 personnel across 6 continents.

We empower humanity by creating a brighter, cleaner and smarter future for everyone. From switches to smart techs to water saving, our products, technologies and services are class leading solutions for buildings and the built environment in both developed and developing countries, for today and creating a sustainable environment for the future generations.

What We Do



**Artificial
Intelligence**



Transportation



Health Care



Education



**Internet
of Things**



**Building
Infrastructure**



**Digital
Infrastructure**



**Digital
Commerce**



Our Brands

Orel has a wide portfolio of global brands across Electrical, Lighting and Digital infrastructure.



Energy Enhanced

Orange Electric provides solutions in the sphere of energy with special attention to design and efficiency.



Connecting the World

Offering complete end-to-end Network & Connectivity Solutions for industrial, commercial, medical and military sectors.



Transforming Life's with Technology

Transforming the life's and inspiring the new generation through our wide portfolio of IT solutions including Image Annotation, Image Segmentation, Data Collection, OCR, Object Tracking, Classification, Comparison and many others.



Smarter Habitat

Qbus develops products & technologies that turn homes, offices, hotels, factories & even hospitals into smart buildings. Smart solutions for convenience and energy-savings.



Reliable & Affordable

Offering quality solutions with unsurpassed functionality and fashion for a discerning customer.



Seamless Mobile Payments

OrelPay allows users to link their bank accounts and credit cards with the OrelPay mobile app and carry out transactions by simply scanning a QR code.



Smart Options for Smart People

OrelBuy is focused on providing the unequivocal online shopping experience for both consumer and retail partners at an unrivalled level of service from the first point of sale to the point of delivery including dedicated after sales support.



Electrical Busduct Solutions

Superbar Offers world class Low Voltage Electrical Busbar Trunking Systems to meet the ever demanding and complex global.



Energy Enhanced

Our wide portfolio of Building Infrastructure products are innovative and of outstanding quality and value, intended to Empower Humanity by creating a brighter, cleaner and smarter future for everyone across the globe.

Orange Electric provides solutions in the sphere of energy with special attention to design and efficiency. We have a range of batteries, home appliances, allied accessories, switches, sockets, wires, cables, circuit breakers, plugs and connectors. In addition we have industrial products under Cable Management, Switchgears, Enclosures, Busbar Trunking, Power D/Boards, Energy Optimizer, Generators, Solar, Elevators, and Electronic Robots.



Content

01	56 SERIES
02	IP 55 SWITCHES AND SOCKETS
12	ISOLATING SWITCHES
17	SURFACE SOCKETS
18	COMBINATION ISOLATING SWITCHES
19	SURFACE SWITCHES ROTARY TYPE
20	SURFACE SOCKETS - IP 55
22	COMBINATION SWITCHED SOCKETS
23	SURFACE SWITCHES - 56
24	PLUGS AND CONNECTORS
28	JUNCTION BOXES AND ENCLOSURES
34	SWITCHGEAR COVERS
35	FLOAT SWITCH
36	CEE SERIES
37	PLUGS
50	CONNECTORS
67	SWITCHED INTERLOCKED
72	EXTRA LOW VOLTAGE PLUGS AND CONNECTORS
75	CONTAINER PLUGS AND SOCKETS
81	PHASE INVERTER PLUGS
83	7 POLES PLUGS AND CONNECTORS
88	SAFETY PLUGS AND CONNECTORS
97	SOCKET OUTLETS ANUSTRAN / GERMAN SYSTEM (SCHUKO)
99	ADAPTERS AND OUTLETS

Safeguard The Beauty of the Outdoors

The creation of every outdoor facility begins with a cluster of ideas to complement its natural ambiance. However the beauty of the outdoors can be extinguished in the blink of an eye if the Switchgear you use does not suit conditions in which you use them.

The Atlantis product range is subjected to a variety of tests under extreme weather conditions and has been attested to withstand violent collisions which provides its attributes of strength, reliability, durability and most importantly safety. The range features dust & damp-proof, high temperature & impact resistant, anti-aging & corrosion qualities. This ensures secure sealing when plugs are removed, preventing dust and water based corrosions.

In addition, Atlantis weatherproof switchgear has been awarded certificates for quality and safety in par with International Standards ensuring your alfresco facility remains beautiful just how you envisioned it to be.



56 SERIES

SURFACE SWITCHES

ITEM CODE	CURRENT(A)	RATED OPERATING VOLTAGE (V)	GANG	1 WAY/2 WAY	IP RATING
500-1118	13	250	1	1 Way	IP55
500-1127	13	250	1	2 Way	IP55
500-1119	13	250	2	1 Way	IP55
500-1129	13	250	2	2 Way	IP55

APPLICATIONS

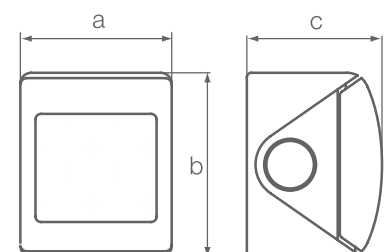
Industrial / Residential / Hotel / General Purpose

PRODUCT SPECIFICATIONS

Method of Application	: Surface type
Method of Connecting Cables	: Rewireable
Type of Terminals	: Screw type
Method of Installation	: Fixed
Standard Complied	: IEC 60670
Materials	: ABS



Gang	1		2	
	1	2	1	2
1 Way / 2 Way				
Dimension (mm)	a	70 70	70 70	
	b	85 85	85 85	
	c	62.5 62.5	62.5 62.5	



Note: Protection degree IP55 becomes IP20 when the cover is open.

SURFACE SWITCHES

ITEM CODE	CURRENT(A)	RATED OPERATING VOLTAGE (V)	GANG	1 WAY/2 WAY	IP RATING
500-1120	13	250	3	1 Way	IP55
500-1130	13	250	3	2 Way	IP55
500-1126	13	250	4	1 Way	IP55
500-1131	13	250	4	2 Way	IP55

APPLICATIONS

Industrial / Residential / Hotel / General Purpose

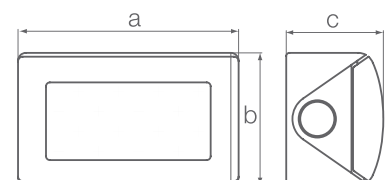
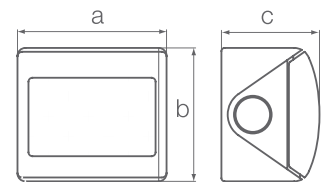


PRODUCT SPECIFICATIONS

Method of Application : Surface type
 Method of Connecting Cables : Rewireable
 Type of Terminals : Screw type
 Method of Installation : Fixed
 Standard Complied : IEC 60670
 Materials : ABS



Gang	3		4	
	1	2	1	2
1 Way / 2 Way				
Dimension (mm)	a	95 95	142 142	
	b	85 85	85 85	
	c	62.5 62.5	62.5 62.5	



Note: Protection degree IP55 becomes IP20 when the cover is open.

SURFACE SWITCHES - DOUBLE POLE

ITEM CODE	CURRENT(A)	RATED OPERATING VOLTAGE (V)	GANG	1 WAY/2 WAY	IP RATING
500-1132	13	250	1	1 Way	IP55

APPLICATIONS

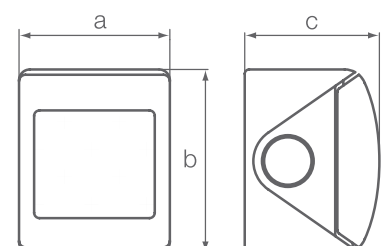
Industrial / Residential / Hotel / General Purpose

PRODUCT SPECIFICATIONS

Method of Application	: Surface type
Method of Connecting Cables	: Rewireable
Type of Terminals	: Screw type
Method of Installation	: Fixed
Standard Complied	: IEC 60670
Materials	: ABS



Gang		1
	a	70
Dimension (mm)	b	85
	c	62.5



Note: Protection degree IP55 becomes IP20 when the cover is open.

SURFACE SWITCHES - BELL PRESS

ITEM CODE	CURRENT(A)	RATED OPERATING VOLTAGE (V)	GANG	IP RATING
500-1133	16	250	1	IP55

APPLICATIONS

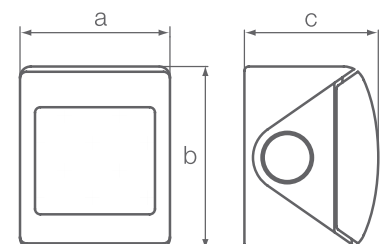
Industrial / Residential / Hotel / General Purpose

PRODUCT SPECIFICATIONS

Method of Application	: Surface type
Method of Connecting Cables	: Rewireable
Type of Terminals	: Screw type
Method of Installation	: Fixed
Standard Complied	: IEC 60670
Materials	: ABS






Gang		1
Dimension (mm)	a	70
	b	85
	c	62.5



Note: Protection degree IP55 becomes IP20 when the cover is open.

SURFACE SINGLE SOCKETS

ITEM CODE	CURRENT(A)	RATED OPERATING VOLTAGE (V)	PIN TYPE	IP RATING
500-1116	13	250		IP55
500-1117*	15	250		IP55
500-1134*	15	250		IP55

APPLICATIONS

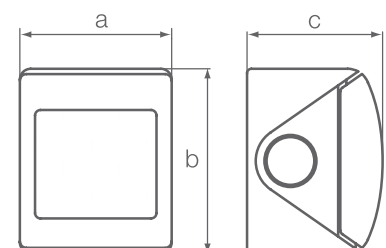
Industrial / Residential / Hotel / General Purpose

PRODUCT SPECIFICATIONS

Method of Application	: Surface type
Method of Connecting Cables	: Rewireable
Type of Terminals	: Screw type
Method of Installation	: Fixed
Standard Complied	: IEC 60670
Materials	: ABS





Current (A)	13	15
a	70	70
b	85	85
c	62.5	62.5



Note: Protection degree IP55 becomes IP20 when the cover is open.

*For International Market Only.

SURFACE TWIN SOCKETS

ITEM CODE	CURRENT(A)	RATED OPERATING VOLTAGE (V)	PIN TYPE	IP RATING
500-1075	13	250		IP55
500-1125*	15	250		IP55

APPLICATIONS

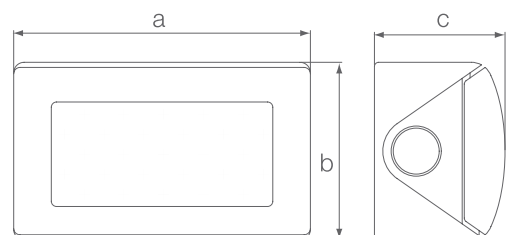
Industrial / Residential / Hotel / General Purpose

PRODUCT SPECIFICATIONS

Method of Application	: Surface type
Method of Connecting Cables	: Rewireable
Type of Terminals	: Screw type
Method of Installation	: Fixed
Standard Complied	: IEC 60670
Materials	: ABS






Current (A)	13	15
a	142	142
b	85	85
c	62.5	62.5



Note: The protection degree IP55 becomes IP20 when the cover is open.

*For International Market Only.

SURFACE SWITCHED SOCKETS

ITEM CODE	CURRENT(A)	RATED OPERATING VOLTAGE (V)	GANG	PIN TYPE	IP RATING
500-1128	13	250	1		IP55
500-1122*	15	250	1		IP55
500-1135*	15	250	1		IP55

APPLICATIONS

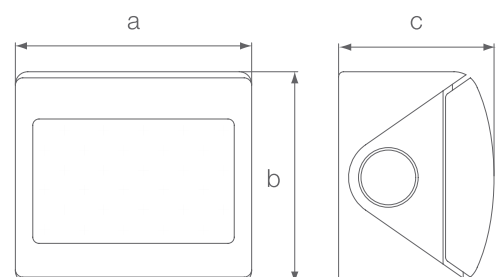
Industrial / Residential / Hotel / General Purpose

PRODUCT SPECIFICATIONS

Method of Application	: Surface type
Method of Connecting Cables	: Rewireable
Type of Terminals	: Screw type
Method of Installation	: Fixed
Standard Complied	: IEC 60670
Materials	: ABS



Current (A)	13	15
a	95	95
b	85	85
c	62.5	62.5



Note: The protection degree IP55 becomes IP20 when the cover is open.

*For International Market Only.

SURFACE SWITCHED SOCKETS

ITEM CODE	CURRENT(A)	RATED OPERATING VOLTAGE (V)	GANG	PIN TYPE	IP RATING
500-1136	13	250	2		IP55
500-1121*	15	250	2		IP55

APPLICATIONS

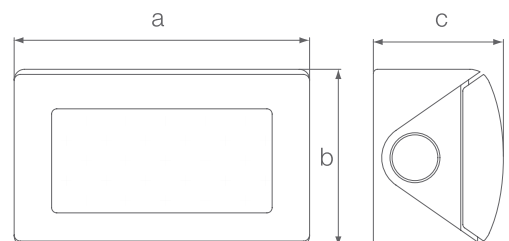
Industrial / Residential / Hotel / General Purpose

PRODUCT SPECIFICATIONS

Method of Application	: Surface type
Method of Connecting Cables	: Rewireable
Type of Terminals	: Screw type
Method of Installation	: Fixed
Standard Complied	: IEC 60670
Materials	: ABS



Current (A)	13	15
a	142	142
b	85	85
c	62.5	62.5



Note: The protection degree IP55 becomes IP20 when the cover is open.

*For International Market Only.

SURFACE SWITCHES

ITEM CODE	CURRENT(A)	RATED OPERATING VOLTAGE (V)	GANG	IP RATING
500-1037	16	250	1	IP56
500-1038	16	250	2	IP56

APPLICATIONS

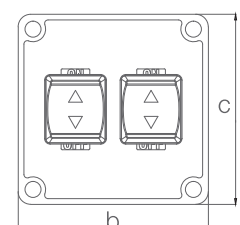
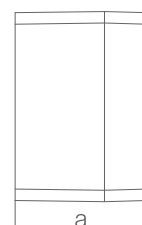
Industrial / Residential / Hotel / General Purpose

PRODUCT SPECIFICATIONS

Method of Application	: Surface type
Method of Connecting Cables	: Rewireable
Type of Terminals	: Screw type
Method of Installation	: Fixed
Standard Complied	: AS/NZS 3123:2005
Materials	: PC



Gang		1	2
Dimension (mm)	a	83	83
	b	83	83
	c	59	59



SURFACE SWITCHED SOCKETS

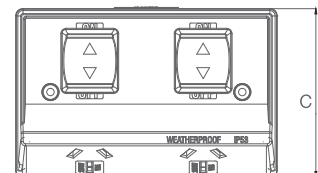
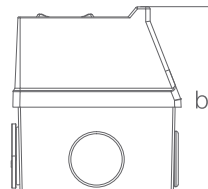
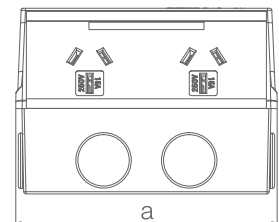
ITEM CODE	CURRENT(A)	RATED OPERATING VOLTAGE (V)	GANG	IP RATING
500-1035	10/15	250	1	IP53
500-1036	10/15	250	2	IP53

APPLICATIONS

Industrial / Residential / Hotel / General Purpose

PRODUCT SPECIFICATIONS

Method of Application	: Surface type
Method of Connecting Cables	: Rewireable
Type of Terminals	: Screw type
Method of Installation	: Fixed
Standard Complied	: AS/NZS 3123:2005
Materials	: PC



Gang	1	2
Dimension (mm)		
a	122	122
b	86.7	86.7
c	78.5	78.5

ISOLATING SWITCHES

ITEM CODE	CURRENT(A)	RATED OPERATING VOLTAGE (V)	POLES	IP RATING
500-1061	20	250	1	IP66
500-1063	20	250	2	IP66
500-1045	20	500	3	IP66
500-1072	20	500	4	IP66
500-1062	32	250	1	IP66
500-1064	32	250	2	IP66
500-1068	32	500	3	IP66
500-1137	32	500	4	IP66

APPLICATIONS

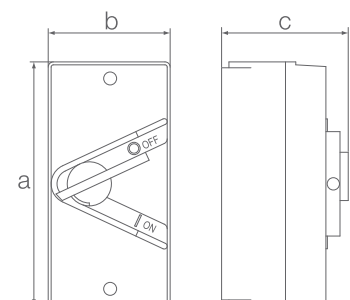
Industrial / Residential / Hotel / General Purpose

PRODUCT SPECIFICATIONS

Method of Application	: Surface type
Method of Connecting Cables	: Rewireable
Type of Terminals	: Screw type
Method of Installation	: Fixed
Standard Complied	: EN 60947-3-1 AS/NZS 3123:2005
Materials	: PC



Current (A)	20				32			
	1	2	3	4	1	2	3	4
Pole (P)								
Dimension (mm)	a	166	166	166	166	166	166	166
	b	83	83	83	83	83	83	83
	c	86	86	86	86	86	86	86



ISOLATING SWITCHES

ITEM CODE	CURRENT(A)	RATED OPERATING VOLTAGE (V)	POLES	IP RATING
500-1138	35	250	1	IP66
500-1113	35	250	2	IP66
500-1096	35	500	3	IP66
500-1074	35	500	4	IP66
500-1139	40	250	1	IP66
500-1065	40	250	2	IP66
500-1069	40	500	3	IP66
500-1073	40	500	4	IP66

APPLICATIONS

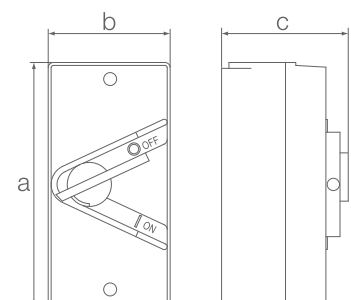
Industrial / Residential / Hotel / General Purpose

PRODUCT SPECIFICATIONS

Method of Application	: Surface type
Method of Connecting Cables	: Rewireable
Type of Terminals	: Screw type
Method of Installation	: Fixed
Standard Complied	: EN 60947-3-1 AS/NZS 3123:2005
Materials	: PC



Current (A)	35				40				
	Pole (P)	1	2	3	4	1	2	3	4
Dimension (mm)	a	166	166	166	166	166	166	166	166
	b	83	83	83	83	83	83	83	83
	c	86	86	86	86	86	86	86	86



ISOLATING SWITCHES

ITEM CODE	CURRENT(A)	RATED OPERATING VOLTAGE (V)	POLES	IP RATING
500-1140	55	250	1	IP66
500-1066	55	250	2	IP66
500-1070	55	500	3	IP66
500-1141	55	500	4	IP66
500-1142	63	250	1	IP66
500-1067	63	250	2	IP66
500-1071	63	500	3	IP66
500-1097	63	500	4	IP66

APPLICATIONS

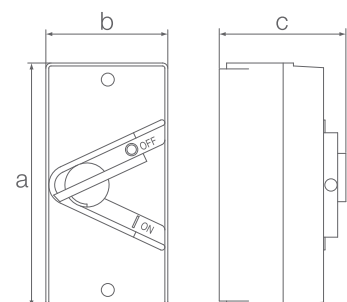
Industrial / Residential / Hotel / General Purpose

PRODUCT SPECIFICATIONS

Method of Application	: Surface type
Method of Connecting Cables	: Rewireable
Type of Terminals	: Screw type
Method of Installation	: Fixed
Standard Complied	: EN 60947-3-1 AS/NZS 3123:2005
Materials	: PC



Current (A)	55				63			
	1	2	3	4	1	2	3	4
Pole (P)								
Dimension (mm)	a	166	166	166	166	166	166	166
	b	83	83	83	83	83	83	83
	c	86	86	86	86	86	86	86



ISOLATING SWITCHES - METAL

ITEM CODE	CURRENT(A)	RATED OPERATING VOLTAGE (V)	POLES	IP RATING
500-1098	100	230-440	3	IP65
500-1099	80	230-440	4	IP65
500-1100	100	230-440	4	IP65

APPLICATIONS

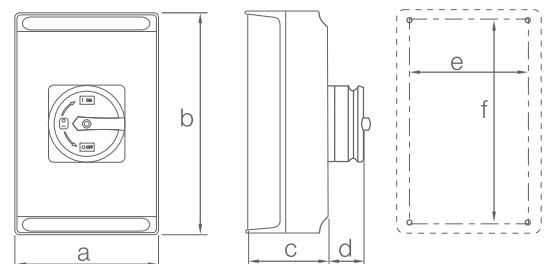
Industrial / Residential / Hotel / General Purpose



PRODUCT SPECIFICATIONS

Method of Application	: Surface type
Method of Connecting Cables	: Rewireable
Type of Terminals	: Screw type
Method of Installation	: Fixed
Materials	: PC

Current (A)	60	80	100
a	160	160	160
b	240	240	240
c	122	122	122
d	37	37	37
e	142	142	142
f	193	193	193



ISOLATING SWITCHES - METAL

ITEM CODE	CURRENT(A)	RATED OPERATING VOLTAGE (V)	POLES	IP RATING
500-1056	63	230-440	3	IP65
500-1057	80	230-440	3	IP65
500-1058	100	230-440	3	IP65

APPLICATIONS

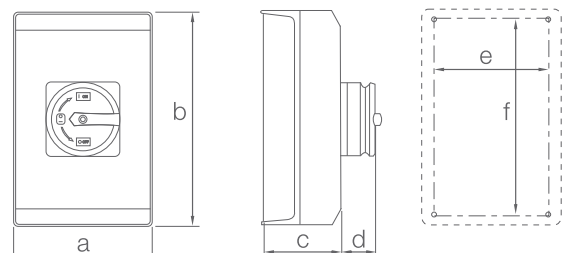
Industrial / Residential / Hotel / General Purpose

PRODUCT SPECIFICATIONS

Method of Application	: Surface type
Method of Connecting Cables	: Rewireable
Type of Terminals	: Screw type
Method of Installation	: Fixed
Materials	: PC



Current (A)	63	80	100
a	116	160	160
b	176	240	240
c	101	122	122
d	35	37	37
e	90	142	142
f	165	193	193



SURFACE SOCKETS

ITEM CODE	CURRENT(A)	RATED OPERATING VOLTAGE (V)	POLES	PIN TYPE	IP RATING
500-1028	13	250	2P+⊕		IP55
500-1104*	15	250	2P+⊕		IP55

APPLICATIONS

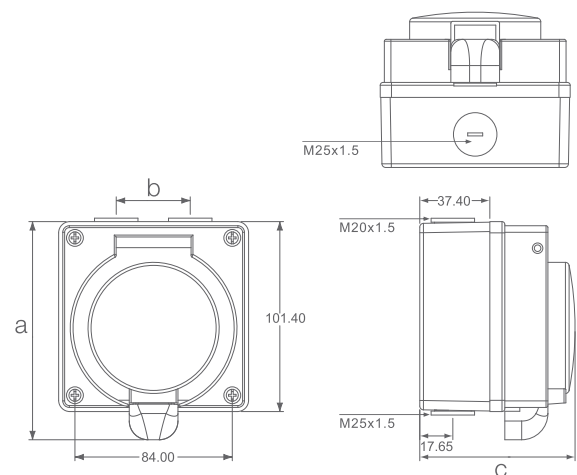
Industrial / Residential / Hotel / General Purpose

PRODUCT SPECIFICATIONS

Method of Application	: Surface type
Method of Connecting Cables	: Rewireable
Type of Terminals	: Screw type
Method of Installation	: Fixed
Standard Complied	: AS/NZS 3123:2005 BS 1363
Materials	: PC



Current (A)	13	15	
Pole (P)	2P+⊕	2P+⊕	
Dimension (mm)	a	116	116
	b	101.5	101.5
	c	86	86



*For International Market Only.

COMBINATION ISOLATING SWITCHES

ITEM CODE	CURRENT(A)	RATED OPERATING VOLTAGE (V)	POLES	PIN TYPE	IP RATING
500-1029	13	250	2P+⊕		IP55
500-1105*	15	250	2P+⊕		IP55

APPLICATIONS

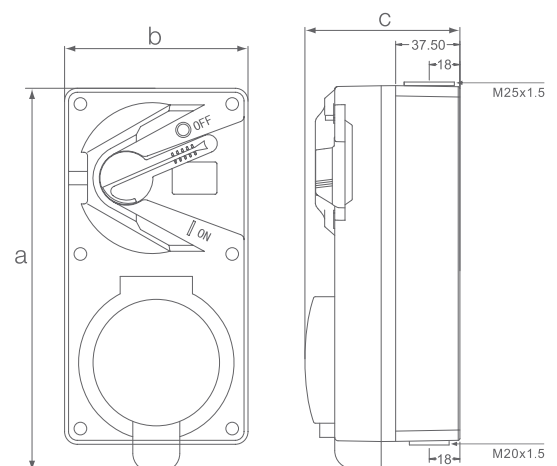
Industrial / Residential / Hotel / General Purpose

PRODUCT SPECIFICATIONS

Method of Application	: Surface type
Method of Connecting Cables	: Rewireable
Type of Terminals	: Screw type
Method of Installation	: Fixed
Standard Complied	: AS/NZS 3123 : 2005 BS 1363
Materials	: PC



Current (A)	13	15	
Pole (P)	2P+⊕	2P+⊕	
Dimension (mm)	a	212	212
	b	101.5	101.5
	c	86	86



*For International Market Only.

SURFACE SWITCHES

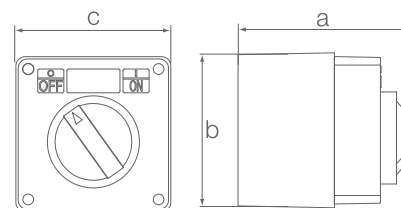
ITEM CODE	CURRENT(A)	RATED OPERATING VOLTAGE (V)	POLES	IP RATING
500-1052	10	250	1	IP66
500-1102	10	250	2	IP66
500-1053	10	500	3	IP66
500-1144	16	250	1	IP66
500-1011	16	250	2	IP66
500-1014	16	500	3	IP66
500-1145	20	250	1	IP66
500-1012	20	250	2	IP66
500-1015	20	500	3	IP66
500-1013	32	250	2	IP66
500-1016	32	500	3	IP66
500-1017	50	500	3	IP66

APPLICATIONS

Industrial / Residential / Hotel / General Purpose

PRODUCT SPECIFICATIONS

Method of Application	: Surface type
Method of Connecting Cables	: Rewireable
Type of Terminals	: Screw type
Method of Installation	: Fixed
Standard Complied	: AS/NZS 3123 : 2005
Materials	: PC



Current (A)	10			16			20			32		50
Pole (P)	1	2	3	1	2	3	1	2	3	2	3	3
Dimension (mm) a	108	108	108	108	108	108	108	108	108	108	108	108
b	101	101	101	101	101	101	101	101	101	101	101	101
c	101	101	101	101	101	101	101	101	101	101	101	101

Note: If needed without bottom base, mention item code + LB.

SURFACE SOCKETS

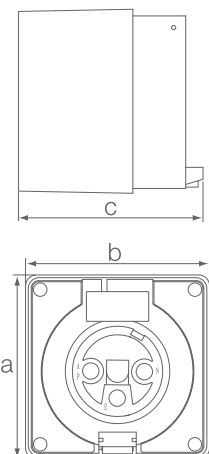
ITEM CODE	CURRENT(A)	RATED OPERATING VOLTAGE (V)	PINS	PIN TYPE	IP RATING
500-1146*	10	250	3P		IP65
500-1043	13	250	3P		IP65
500-1147*	15	250	3P		IP65
500-1018*	20	250	3P		IP65
500-1019*	32	250	3P		IP65
500-1148*	10	500	4P		IP65
500-1194*	20	500	4P		IP65
500-1149*	32	500	4P		IP65
500-1150*	40	500	4P		IP65
500-1195*	50	500	4P		IP65

APPLICATIONS

Industrial / Residential / Hotel / General Purpose

PRODUCT SPECIFICATIONS

- Method of Application : Surface type
- Method of Connecting Cables : Rewireable
- Type of Terminals : Screw type
- Method of Installation : Fixed
- Standard Complied : AS/NZS 3123:2005 | BS 1363
- Materials : PC



Current (A)	10		13	15	20		32		40	50
Pin (P)	3	4	3	3	3	4	3	4	4	4
Dimension (mm)	a	101	101	101	101	101	101	101	101	101
	b	101	101	101	101	101	101	101	101	101
	c	101	101	101	101	101	101	101	101	101

*For International Market Only.

SURFACE SOCKETS

ITEM CODE	CURRENT(A)	RATED OPERATING VOLTAGE (V)	PINS	PIN TYPE	IP RATING
500-1196*	10	500	5P		IP65
500-1020*	20	500	5P		IP65
500-1021*	32	500	5P		IP65
500-1022*	40	500	5P		IP65
500-1151*	50	500	5P		IP65

APPLICATIONS

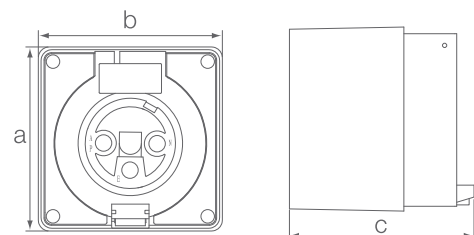
Industrial / Residential / Hotel / General Purpose

PRODUCT SPECIFICATIONS

Method of Application	: Surface type
Method of Connecting Cables	: Rewireable
Type of Terminals	: Screw type
Method of Installation	: Fixed
Standard Complied	: AS/NZS 3123:2005 BS1363
Materials	: PC



Current (A)	10	20	32	40	50	
Pin (P)	5					
Dimension (mm)	a	101	101	101	101	101
	b	101	101	101	101	101
	c	101	101	101	101	101



*For International Market Only.

COMBINATION SWITCHED SOCKETS

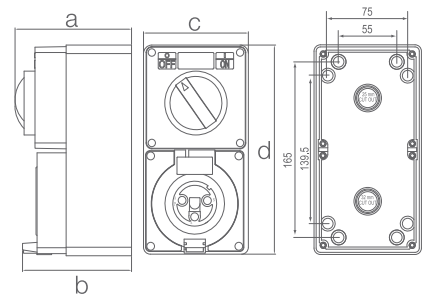
ITEM CODE	CURRENT(A)	RATED OPERATING VOLTAGE (V)	PINS	PIN TYPE	IP RATING
500-1103*	15	250	3P		IP66
500-1024	13	250	3P		IP66
500-1023*	16	250	3P		IP66
500-1054*	20	250	3P		IP66
500-1055*	32	250	3P		IP66
500-1107*	20	500	5P		IP66
500-1047*	32	500	5P		IP66
500-1108*	50	500	5P		IP66

APPLICATIONS

Industrial / Residential / Hotel / General Purpose

PRODUCT SPECIFICATIONS

Method of Application	: Surface type
Method of Connecting Cables	: Rewireable
Type of Terminals	: Screw type
Method of Installation	: Fixed
Standard Complied	: AS/NZS 3112:2004 AS/NZS 3123:2005 BS 1363
Materials	: PC



Current (A)	13	15	16	20		32		50
Pin(P)	3	3	3	3	5	3	5	3
Dimension (mm)	a	80	80	80	80	80	80	80
	b	85	85	85	85	85	85	85
	c	85	85	85	85	85	85	85

*For International Market Only.

SURFACE SWITCH

ITEM CODE	CURRENT(A)	RATED OPERATING VOLTAGE (V)	GANG	IP RATING
500-1034	10	250	2	IP56

APPLICATIONS

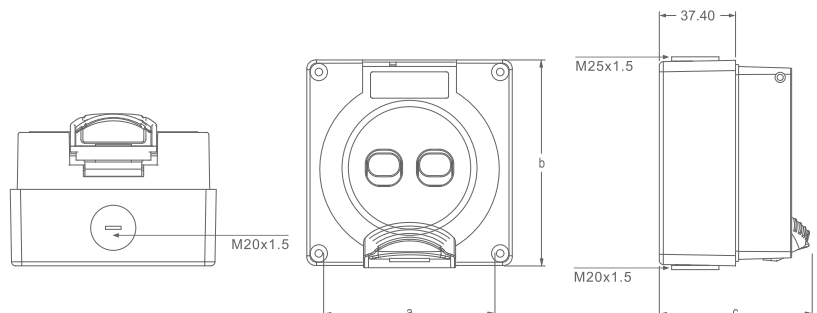
Industrial / Residential / Hotel / General Purpose

PRODUCT SPECIFICATIONS

Method of Application	: Surface type
Method of Connecting Cables	: Rewireable
Type of Terminals	: Screw type
Method of Installation	: Fixed
Standard Complied	: AS/NZS 3123:2005
Materials	: PC



Gang	2
Dimension (mm)	
a	84
b	101
c	85



STRAIGHT PLUGS

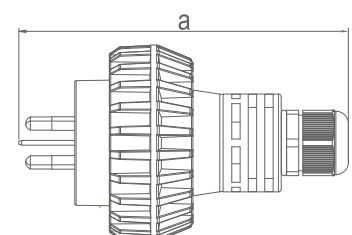
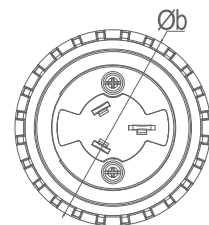
ITEM CODE	CURRENT(A)	RATED OPERATING VOLTAGE (V)	PINS (Including Earth)	PIN TYPE	IP RATING
500-1030*	10	250	3P		IP66
500-1031	13	250	3P		IP66
500-1048*	15	250	3P		IP66

APPLICATIONS

Industrial / Residential / Hotel / General Purpose

PRODUCT SPECIFICATIONS

Method of Application	: Movable
Method of Connecting Cables	: Rewireable
Type of Terminals	: Screw type
Method of Installation	: Fixed
Standard Complied	: AS/NZS 3112:2004 BS1363
Materials	: PC



		10	13	15
Current (A)				
Pin (P)		3	3	3
Dimension (mm)	a	118	95	118
	b	71	79	71

*For International Market Only.

STRAIGHT PLUGS

ITEM CODE	CURRENT(A)	RATED OPERATING VOLTAGE (V)	PINS (Including Earth)	PIN TYPE	IP RATING
500-1001*	20	250	3P		IP66
500-1002*	32	250	3P		IP66
500-1032*	32	500	4P		IP66
500-1003*	20	500	5P		IP66
500-1004*	32	500	5P		IP66
500-1005*	40	500	5P		IP66
500-1162	50	500	5P		IP66

APPLICATIONS

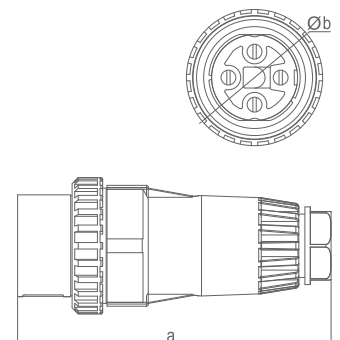
Industrial / Residential / Hotel / General Purpose

PRODUCT SPECIFICATIONS

Method of Application	: Movable
Method of Connecting Cables	: Rewireable
Type of Terminals	: Screw type
Method of Installation	: Fixed
Standard Complied	: AS/NZS 3123:2005
Materials	: PC



Current (A)	20		32			40	50
Pin (P)	3	5	3	4	5	5	5
Dimension (mm)	a	180	180	180	180	180	180
	b	78	78	78	78	78	78



*For International Market Only.

ANGLED PLUGS

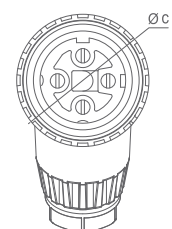
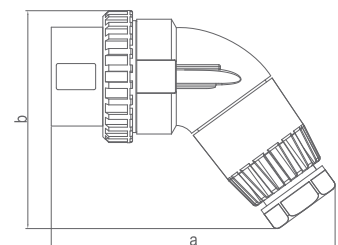
ITEM CODE	CURRENT(A)	RATED OPERATING VOLTAGE (V)	PINS (Including Earth)	PIN TYPE	IP RATING
500-1006*	20	250	3P		IP66
500-1007*	32	250	3P		IP66
500-1008*	20	500	5P		IP66
500-1033*	32	500	4P		IP66
500-1009*	32	500	5P		IP66
500-1010*	40	500	5P		IP66
500-1091*	50	500	5P		IP66

APPLICATIONS

Industrial / Residential / Hotel / General Purpose

PRODUCT SPECIFICATIONS




Method of Application	: Movable
Method of Connecting Cables	: Rewireable
Type of Terminals	: Screw type
Method of Installation	: Fixed
Standard Complied	: AS/NZS 3123:2005
Materials	: PC



Current (A)	20		32			40	50
Pin (P)	3	5	3	4	5	5	5
Dimension (mm)	a	168	168	168	168	168	168
	b	130	130	130	130	130	130
	c	78	78	78	78	78	78

*For International Market Only.

STRAIGHT CONNECTORS

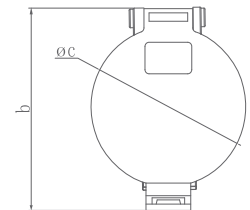
ITEM CODE	CURRENT(A)	RATED OPERATING VOLTAGE (V)	PINS (Including Earth)	PIN TYPE	IP RATING
500-1152*	20	250	3P		IP66
500-1153*	32	250	3P		IP66
500-1154*	32	500	5P		IP66

APPLICATIONS

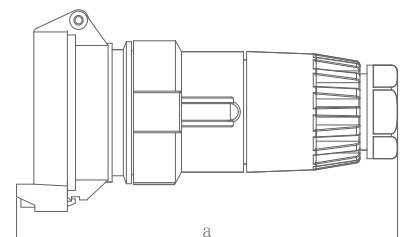
Industrial / Residential / Hotel / General Purpose

PRODUCT SPECIFICATIONS

Method of Application	: Movable
Method of Connecting Cables	: Rewireable
Type of Terminals	: Screw type
Method of Installation	: Fixed
Standard Complied	: AS/NZS 3123:2005
Materials	: PC



Current (A)	20	32	32	
Pin (P)	3	3	5	
Dimension (mm)	a	189	189	189
	b	95	95	95
	c	77	77	77



*For International Market Only.

TERMINAL JUNCTION BOXES

ITEM CODE	WITH TERMINAL	DEPTH
500-1026	No	61
500-1112	Yes	61

APPLICATIONS

Industrial / Residential / Hotel / General Purpose

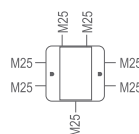
PRODUCT SPECIFICATIONS

Method of Application	: Surface type
Method of Connecting Cables	: Rewireable
Type of Terminals	: Screw type
Method of Installation	: Fixed
Materials	: PS

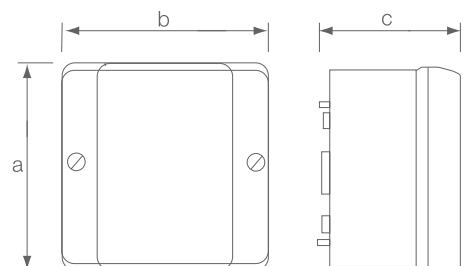


Gang		1
Dimension (mm)	a	98
	b	98
	c	61

Wire access hole (Metric)



Pipe Connection (plug-in)
Cable Entry 4 ESM25
Applicable Conductor Ø 9-17mm



TERMINAL JUNCTION BOXES

ITEM CODE	WITH TERMINAL	DEPTH
500-1060	Yes	82
500-1143	No	82

APPLICATIONS

Industrial / Residential / Hotel / General Purpose

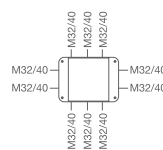
PRODUCT SPECIFICATIONS

Method of Application	: Surface type
Method of Connecting Cables	: Rewireable
Type of Terminals	: Screw type
Method of Installation	: Fixed
Materials	: PS

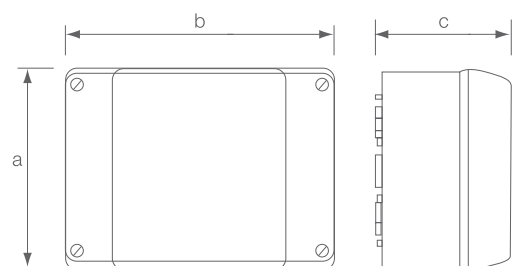


Gang		1
Dimension (mm)	a	125
	b	167
	c	82

Wire access hole (Metric)



Pipe Connection (plug-in)
Cable Entry 3 ESM32
Applicable Conductor Ø 9-23mm



TERMINAL JUNCTION BOXES

ITEM CODE	WITH TERMINAL	DEPTH
500-1157	Yes	70

APPLICATIONS

Industrial / Residential / Hotel / General Purpose

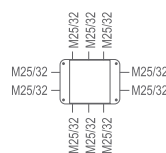
PRODUCT SPECIFICATIONS

Method of Application	: Surface type
Method of Connecting Cables	: Rewireable
Type of Terminals	: Screw type
Method of Installation	: Fixed
Materials	: PS

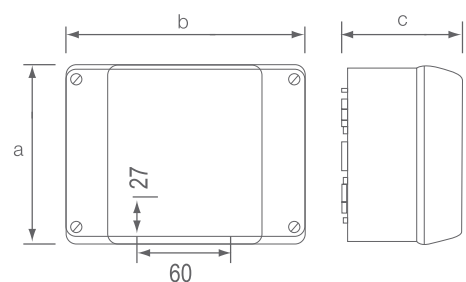


Gang		1
	a	119
Dimension (mm)	b	139
	c	70

Wire access hole (Metric)



Pipe Connection (plug in)
Cable Entry 3 ESM32
Applicable Conductor Ø 9-23mm



TERMINAL JUNCTION BOXES

ITEM CODE	WITH TERMINAL	DEPTH
500-1155	Yes	98

APPLICATIONS

Industrial / Residential / Hotel / General Purpose

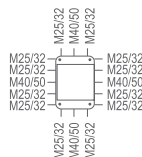
PRODUCT SPECIFICATIONS

Method of Application	: Surface type
Method of Connecting Cables	: Rewireable
Type of Terminals	: Screw type
Method of Installation	: Fixed
Materials	: PS

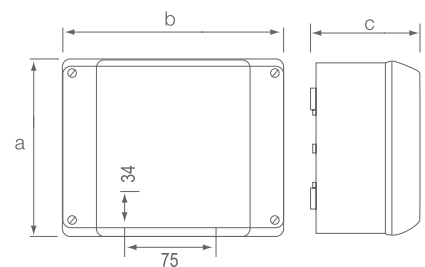


Gang		1
Dimension (mm)	a	160
	b	200
	c	98

Wire access hole (Metric)



Pipe Connection (plug in)
Cable Entry 3 ESM40
Applicable Conductor Ø 17-30mm



MOUNTING ENCLOSURES

ITEM CODE	GANG	MOUNTING POINTS	DEPTH
500-1123	1	4	38
500-1124	2	4	38

APPLICATIONS

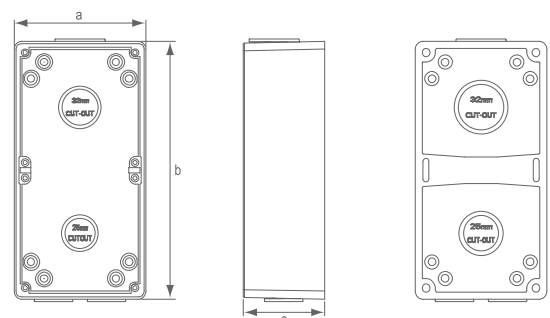
Industrial / Residential / Hotel / General Purpose

PRODUCT SPECIFICATIONS

Method of Application : Surface type
 Method of Installation : Fixed
 Materials : PC



Gang	1	2
a	101	101
b	101	198
c	38	38



MOUNTING ENCLOSURES

ITEM CODE	GANG	MOUNTING POINTS	DEPTH
500-1092	1	8	63
500-1093	2	8	63
500-1094	3	16	63
500-1095	4	16	63

APPLICATIONS

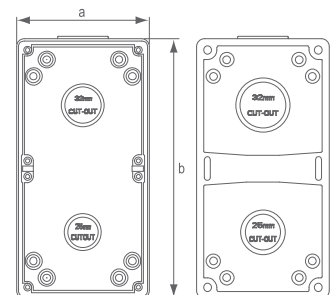
Industrial / Residential / Hotel / General Purpose

PRODUCT SPECIFICATIONS

Method of Application : Surface type
 Method of Installation : Fixed
 Materials : PC



Gang		1	2	3	4
Dimension (mm)	a	101	101	101	198
	b	101	198	294	198
	c	63	63	63	63



SWITCHGEAR COVERS

ITEM CODE	WITH NEON	NO OF MAX MODULE	IP RATING
500-1000	Available	4	IP66

APPLICATIONS

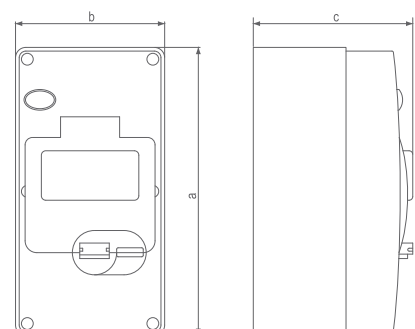
Industrial / Residential / Hotel / General Purpose

PRODUCT SPECIFICATIONS

Method of Application	: Surface type
Method of Connecting Cables	: Rewireable
Method of Installation	: Fixed
Standard Complied	: AS/NZS 3123:2005
Materials	: PC



No. of modules	4	
Dimension (mm)	a	195
	b	101
	c	108



FLOAT SWITCH

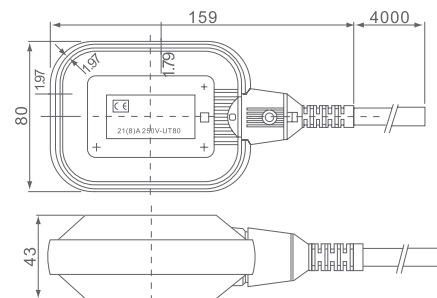
ITEM CODE	CURRENT(A)	RATED OPERATING VOLTAGE (V)	IP RATING
500-1027	10	250	IP67

APPLICATIONS

Industrial / Residential / Hotel / General Purpose

PRODUCT SPECIFICATIONS

Method of Application	: Movable
Method of Connecting Cables	: Rewireable
Type of Terminals	: Screw type
Method of Installation	: Fixed
Protection	: Waterproof
Washing Pressure	: Max 1 bar
Materials	: PP





CEE SERIES

PLUGS

ITEM CODE	CURRENT(A)	RATED OPERATING VOLTAGE (V)	POLE	IP RATING
500-2000	16	110V - 50/60Hz - 4h	3	IP44
500-2001	16	230V - 50/60Hz - 6h	3	IP44
500-2195	16	230V - 50/60Hz - 9h	4	IP44
500-2196	16	230V - 50/60Hz - 9h	5	IP44
500-2002	16	400V - 50/60Hz - 6h	4	IP44
500-2003	16	400V - 50/60Hz - 6h	5	IP44
500-2004	32	230V - 50/60Hz - 6h	3	IP44
500-2197	32	230V - 50/60Hz - 9h	4	IP44
500-2198	32	230V - 50/60Hz - 9h	5	IP44
500-2005	32	400V - 50/60Hz - 6h	4	IP44
500-2006	32	400V - 50/60Hz - 6h	5	IP44

APPLICATIONS

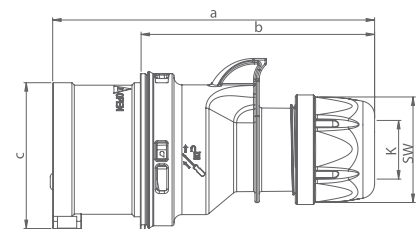
Residential / Hotel / General Purpose / Industrial

PRODUCT SPECIFICATIONS

Method of Application	: Movable
Method of Connecting Cables	: Rewireable
Type of Terminals	: Screw type
Method of Installation	: Fixed
Standard Complied	: IEC 60309 - 1 / IEC 60309 - 2
Materials	: Housing Material: PA6 Contacts: Brass



	Current (A)	16			32		
		Pole (P)	3	4	5	3	4
Dimension (mm)	a	122	128	134	150	150	155
	b	86	92	98	104	104	109
	c	47	53	61	63	63	70
Cable Ø [mm]	K	6-15	6-15	8-16	11,5-20	11,5-20	11,5-22
Connection Type		Screw terminal			Screw terminal		
Wire Flexible [mm ²]		1-2,5			1-2,5		
Contact Screws [Ncm]		100 Ncm			100 Ncm		
SW		42	42	42	50	50	50
Weight [g]		109	128	151	181	201	232



PLUGS

ITEM CODE	CURRENT(A)	RATED OPERATING VOLTAGE (V)	POLE	IP RATING
500-2013	16	110V - 50/60Hz - 4h	3	IP67
500-2014	16	230V - 50/60Hz - 6h	3	IP67
500-2199	16	230V - 50/60Hz - 9h	4	IP67
500-2200	16	230V - 50/60Hz - 9h	5	IP67
500-2015	16	400V - 50/60Hz - 6h	4	IP67
500-2016	16	400V - 50/60Hz - 6h	5	IP67
500-2017	32	230V - 50/60Hz - 6h	3	IP67
500-2201	32	230V - 50/60Hz - 9h	4	IP67
500-2202	32	230V - 50/60Hz - 9h	5	IP67
500-2018	32	400V - 50/60Hz - 6h	4	IP67
500-2019	32	400V - 50/60Hz - 6h	5	IP67

APPLICATIONS

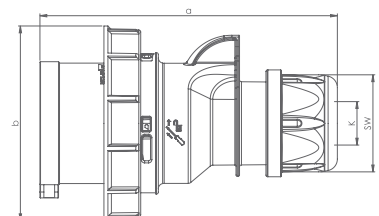
Residential / Hotel / General Purpose / Industrial

PRODUCT SPECIFICATIONS

Method of Application	: Movable
Method of Connecting Cables	: Rewireable
Type of Terminals	: Screw type
Method of Installation	: Fixed
Standard Complied	: IEC 60309 - 1 / IEC 60309 - 2
Materials	: Housing Material: PA6 Contacts: Brass



	Current (A)	16			32		
		Pole (P)	3	4	5	3	4
Dimension (mm)	a	122	128	134	150	150	155
	b	71	79	87	93	93	100
Cable Ø [mm]	K	6-15	6-15	8-16	11,5-20	11,5-20	11,5-22
Connection Type		Screw terminal			Screw terminal		
Wire Flexible [mm ²]		1-2,5			2,5-6		
Contact Screws [Ncm]		100 Ncm			100 Ncm		
SW		42	42	42	50	50	50
Weight [g]		130	154	183	223	242	276



PLUGS

ITEM CODE	CURRENT(A)	RATED OPERATING VOLTAGE (V)	POLE	IP RATING
500-2203	63	230V - 50/60Hz - 6h	3	IP44
500-2204	63	230V - 50/60Hz - 9h	4	IP44
500-2205	63	230V - 50/60Hz - 9h	5	IP44
500-2206	63	400V - 50/60Hz - 6h	4	IP44
500-2207	63	400V - 50/60Hz - 6h	5	IP44

APPLICATIONS

Residential / Hotel / General Purpose / Industrial

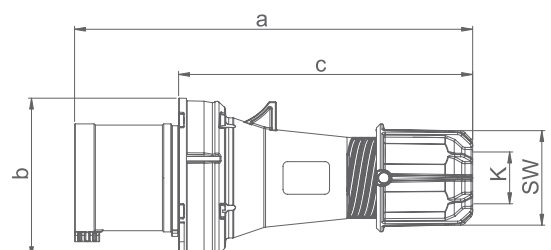
PRODUCT SPECIFICATIONS

Method of Application	: Movable
Method of Connecting Cables	: Rewireable
Type of Terminals	: Screw type
Method of Installation	: Fixed
Standard Complied	: IEC 60309 - 1 / IEC 60309 - 2
Materials	: Plastic: PA6 Contacts: Nickel plated



Current (A)		63		
Pole (P)		3	4	5
Dimension (mm)	a	257	257	257
	b	102	102	102
	c	190	190	190
Cable Ø [mm]	K	14,5-36	14,5-36	14,5-36
Connection Type		Contact frame with screws		
Wire Flexible [mm ²]		6-16		
Contact Screws [Ncm]		200 Ncm		
SW		61	61	61
Weight [g]		530	572	621

• Contact frame with screws



PLUGS

ITEM CODE	CURRENT(A)	RATED OPERATING VOLTAGE (V)	POLE	IP RATING
500-2007	63	230V - 50/60Hz - 6h	3	IP67
500-2288	63	230V - 50/60Hz - 9h	4	IP67
500-2289	63	230V - 50/60Hz - 9h	5	IP67
500-2008	63	400V - 50/60Hz - 6h	4	IP67
500-2009	63	400V - 50/60Hz - 6h	5	IP67

APPLICATIONS

Residential / Hotel / General Purpose / Industrial

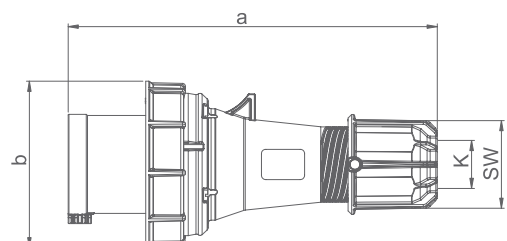
PRODUCT SPECIFICATIONS

Method of Application	: Movable
Method of Connecting Cables	: Rewireable
Type of Terminals	: Screw type
Method of Installation	: Fixed
Standard Complied	: IEC 60309 - 1 / IEC 60309 - 2
Materials	: Housing Material: PA6 Contacts: Nickel plated



Current (A)		63		
Pole (P)		3	4	5
Dimension (mm)	a	257	257	257
	b	114	114	114
Cable Ø [mm]	K	4,5-36	14,5-36	14,5-36
Connection Type		Contact frame with screws		
Wire Flexible [mm ²]		6-16		
Contact Screws [Ncm]		200 Ncm		
SW		61	61	61
Weight [g]		570	617	666

• Contact frame with screws



PLUGS

ITEM CODE	CURRENT(A)	RATED OPERATING VOLTAGE (V)	POLE	IP RATING
500-2010	125	230V - 50/60Hz - 6h	3	IP67
500-2290	125	230V - 50/60Hz - 9h	4	IP67
500-2291	125	230V - 50/60Hz - 9h	5	IP67
500-2011	125	400V - 50/60Hz - 6h	4	IP67
500-2012	125	400V - 50/60Hz - 6h	5	IP67

APPLICATIONS

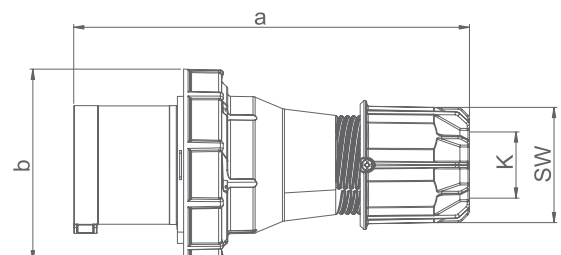
Residential / Hotel / General Purpose / Industrial

PRODUCT SPECIFICATIONS

Method of Application	: Movable
Method of Connecting Cables	: Rewireable
Type of Terminals	: Screw type
Method of Installation	: Fixed
Standard Complied	: IEC 60309 - 1 / IEC 60309 - 2
Materials	: Housing Material: PA6 Contacts: Nickel plated



Current (A)		125		
Pole (P)		3	4	5
Dimension (mm)	a	270	270	270
	b	131	131	131
Cable Ø [mm]	K	22,5-50	22,5-50	22,5-50
Connection Type		Contact frame with screws		
Wire Flexible [mm ²]		16-50		
Contact Screws [Ncm]		450 Ncm		
SW		81	81	81
Weight [g]		956	1064	1169



- Contact frame with hexagon socket screws

WALL MOUNTED PLUGS

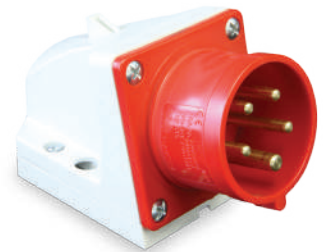
ITEM CODE	CURRENT(A)	RATED OPERATING VOLTAGE (V)	POLE	IP RATING
500-2125	16	230V - 50/60Hz - 6h	3	IP44
500-2208	16	230V - 50/60Hz - 9h	4	IP44
500-2209	16	230V - 50/60Hz - 9h	5	IP44
500-2126	16	400V - 50/60Hz - 6h	4	IP44
500-2127	16	400V - 50/60Hz - 6h	5	IP44
500-2128	32	230V - 50/60Hz - 6h	3	IP44
500-2210	32	230V - 50/60Hz - 9h	4	IP44
500-2211	32	230V - 50/60Hz - 9h	5	IP44
500-2129	32	400V - 50/60Hz - 6h	4	IP44
500-2130	32	400V - 50/60Hz - 6h	5	IP44

APPLICATIONS

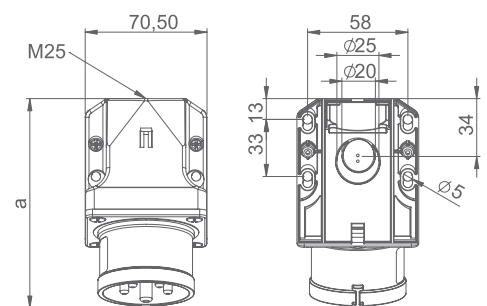
Residential / Hotel / General Purpose / Industrial

PRODUCT SPECIFICATIONS

Method of Application	: Surface mount
Method of Connecting Cables	: Rewireable
Type of Terminals	: Screw type
Method of Installation	: Fixed
Standard Complied	: IEC 60309 - 1 / IEC 60309 - 2
Materials	: Housing Material: PA6 Contacts: Brass



	Current (A)	16			32		
		Pole (P)	3	4	5	3	4
Dimension (mm)	a	120	121	122	131	131	132
	b	76	76	79	82	82	85
	M	25	25	25	25	25	25
Connection Type		Screw terminal			Screw terminal		
Wire Flexible [mm ²]		1-2,5			2,5-6		
Wire Solid [mm ²]		1-4			2,5-10		
Contact Screws [Ncm]		100 Ncm			110 Ncm		
Weight [g]		173	188	205	212	232	253



b = height
angle = 15°

- Top and rear entry
- Included thearded cable grommet

WALL MOUNTED PLUGS

ITEM CODE	CURRENT(A)	RATED OPERATING VOLTAGE (V)	POLE	IP RATING
500-2212	16	230V - 50/60Hz - 6h	3	IP67
500-2213	16	230V - 50/60Hz - 9h	4	IP67
500-2215	16	230V - 50/60Hz - 9h	5	IP67
500-2214	16	400V - 50/60Hz - 6h	4	IP67
500-2216	16	400V - 50/60Hz - 6h	5	IP67
500-2217	32	230V - 50/60Hz - 6h	3	IP67
500-2218	32	230V - 50/60Hz - 9h	4	IP67
500-2220	32	230V - 50/60Hz - 9h	5	IP67
500-2219	32	400V - 50/60Hz - 6h	4	IP67
500-2221	32	400V - 50/60Hz - 6h	5	IP67

APPLICATIONS

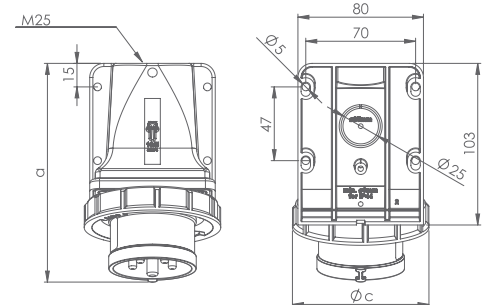
Residential / Hotel / General Purpose / Industrial

PRODUCT SPECIFICATIONS

Method of Application	: Surface mount
Method of Connecting Cables	: Rewireable
Type of Terminals	: Screw type
Method of Installation	: Fixed
Standard Complied	: IEC 60309 - 1 / IEC 60309 - 2
Materials	: Housing Material: PA6 Contacts: Brass



	Current (A)			Pole (P)		
	3	4	5	3	4	5
Dimension (mm)						
a	136	138	140	150	153	152
b	99	94	100	104	104	102
c	71	79	87	93	93	102
M	25	25	25	25	25	25
Connection Type	Screw terminal			Screw terminal		
Wire Flexible [mm ²]	1-2,5			2,5-6		
Wire Solid [mm ²]	1-4			2,5-10		
Contact Screws [Ncm]	100 Ncm			110 Ncm		
Weight [g]	200	223	242	260	280	306



b = height
angle = 15°

• Top or rear entry

WALL MOUNTED PLUGS

ITEM CODE	CURRENT(A)	RATED OPERATING VOLTAGE (V)	POLE	IP RATING
500-2222	63	230V - 50/60Hz - 6h	3	IP67
500-2223	63	230V - 50/60Hz - 9h	4	IP67
500-2224	63	230V - 50/60Hz - 9h	5	IP67
500-2131	63	400V - 50/60Hz - 6h	4	IP67
500-2133	63	400V - 50/60Hz - 6h	5	IP67
500-2132	63	500V - 50/60Hz - 7h	4	IP67
500-2134	63	500V - 50/60Hz - 7h	5	IP67

APPLICATIONS

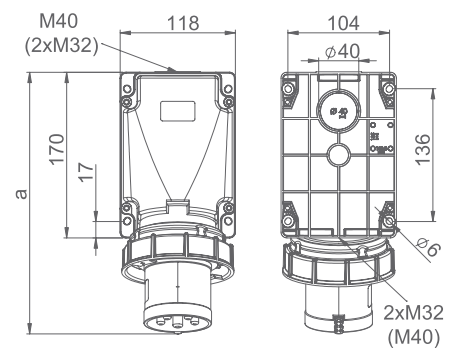
Residential / Hotel / General Purpose / Industrial

PRODUCT SPECIFICATIONS

Method of Application	: Surface mount
Method of Connecting Cables	: Rewireable
Type of Terminals	: Screw type
Method of Installation	: Fixed
Standard Complied	: IEC 60309 - 1 / IEC 60309 - 2
Materials	: Housing Material: PC / ABS Contacts: Nickel - plated



Current (A)		63		
Pole (P)		3	4	5
Dimension (mm)	a	271	271	271
	b	175	175	175
Connection Type	Contact frame with screws			
Wire Flexible [mm ²]	6-16			
Wire Solid [mm ²]	6-25			
Contact Screws [Ncm]	200 Ncm			
Weight [g]	812	864	914	



- Contact frame with screws
- Top, Bottom or rear entry
- Housing can be rotated 180°
- Included threaded bung

b = height angle = 15°

WALL MOUNTED PLUGS

ITEM CODE	CURRENT(A)	RATED OPERATING VOLTAGE (V)	POLE	IP RATING
500-2225	125	230V - 50/60Hz - 6h	3	IP67
500-2226	125	230V - 50/60Hz - 9h	4	IP67
500-2227	125	230V - 50/60Hz - 9h	5	IP67
500-2135	125	400V - 50/60Hz - 6h	4	IP67
500-2137	125	400V - 50/60Hz - 6h	5	IP67
500-2136	125	500V - 50/60Hz - 7h	4	IP67
500-2138	125	500V - 50/60Hz - 7h	5	IP67

APPLICATIONS

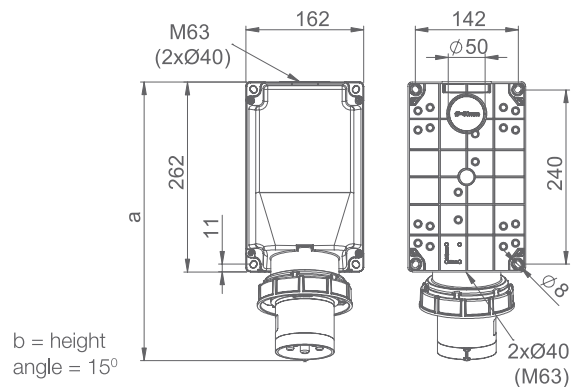
Residential / Hotel / General Purpose / Industrial

PRODUCT SPECIFICATIONS

Method of Application	: Surface mount
Method of Connecting Cables	: Rewireable
Type of Terminals	: Screw type
Method of Installation	: Fixed
Standard Complied	: IEC 60309 - 1 / IEC 60309 - 2
Materials	: Housing Material: PC / ABS Contacts: Nickel - plated



Current (A)		125		
Pole (P)		3	4	5
Dimension (mm)	a	387	387	387
	b	209	209	209
Connection Type:		Contact frame with screws		
Wire Flexible [mm ²]		16-50		
Wire Solid [mm ²]		16-70		
Contact Screws [Ncm]		450 Ncm		
Weight [g]		1620	1725	1834



- Contact frame with hexagon socket screws
- Top, Bottom or rear entry
- Housing can be rotated 180°
- Included threaded bung

FLANGED PLUGS STRAIGHT

ITEM CODE	CURRENT(A)	RATED OPERATING VOLTAGE (V)	POLE	IP RATING
500-2115	16	230V - 50/60Hz - 6h	3	IP44
500-2228	16	230V - 50/60Hz - 9h	4	IP44
500-2229	16	230V - 50/60Hz - 9h	5	IP44
500-2116	16	400V - 50/60Hz - 6h	4	IP44
500-2117	16	400V - 50/60Hz - 6h	5	IP44
500-2118	32	230V - 50/60Hz - 6h	3	IP44
500-2230	32	230V - 50/60Hz - 9h	4	IP44
500-2231	32	230V - 50/60Hz - 9h	5	IP44
500-2119	32	400V - 50/60Hz - 6h	4	IP44
500-2120	32	400V - 50/60Hz - 6h	5	IP44

APPLICATIONS

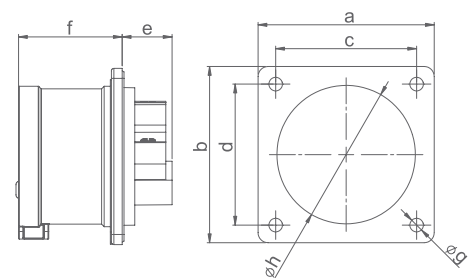
Residential / Hotel / General Purpose / Industrial

PRODUCT SPECIFICATIONS

Method of Application	: Flush
Method of Connecting Cables	: Rewireable
Type of Terminals	: Screw type
Method of Installation	: Fixed
Standard Complied	: IEC 60309 - 1 / IEC 60309 - 2
Materials	: Housing Material: PA6 Contacts: Brass



	16			32		
	3	4	5	3	4	5
Current (A)	16			32		
Pole (P)	3	4	5	3	4	5
Flange a x b	70	70	70	70	70	70
Fixing Center c x d	56	56	56	56	56	56
e	21	21	20	21	21	21
f	42	42	42	51	51	51
Dimension (mm)	g	5,5	5,5	5,5	5,5	5,5
	h	43	43	55	55	55
Connection Type	Screw terminal			Screw terminal		
Wire Flexible [mm ²]	1-2,5			2,5-6		
Wire Solid [mm ²]	1-4			2,5-10		
Contact Screws [Ncm]	100 Ncm			110 Ncm		
Weight [g]	86	101	118	125	145	165



FLANGED PLUGS STRAIGHT

ITEM CODE	CURRENT(A)	RATED OPERATING VOLTAGE (V)	POLE	IP RATING
500-2232	16	230V - 50/60Hz - 6h	3	IP67
500-2233	16	230V - 50/60Hz - 9h	4	IP67
500-2234	16	230V - 50/60Hz - 9h	5	IP67
500-2235	16	400V - 50/60Hz - 6h	4	IP67
500-2236	16	400V - 50/60Hz - 6h	5	IP67
500-2237	32	230V - 50/60Hz - 6h	3	IP67
500-2238	32	230V - 50/60Hz - 9h	4	IP67
500-2239	32	230V - 50/60Hz - 9h	5	IP67
500-2240	32	400V - 50/60Hz - 6h	4	IP67
500-2241	32	400V - 50/60Hz - 6h	5	IP67

APPLICATIONS

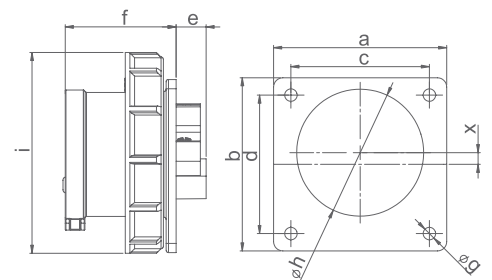
Residential / Hotel / General Purpose / Industrial

PRODUCT SPECIFICATIONS

Method of Application	: Flush
Method of Connecting Cables	: Rewireable
Type of Terminals	: Screw type
Method of Installation	: Fixed
Standard Complied	: IEC 60309 - 1 / IEC 60309 - 2
Materials	: Housing Material: PA6 Contacts: Brass



	Current (A)			Pole (P)		
	16	16	16	32	32	32
Flange a x b	75	75	75	75	75	75
Fixing Center c x d	60	60	60	60	60	60
e	15	14	13	14	15	14
f	48	48	48	58	58	58
g	5,5	5,5	5,5	5,5	5,5	5,5
h	43	44	55	55	55	55
i	71	79	87	93	93	100
x	11,3	6	5	4,5	4,5	0
Connection Type	Screw terminal			Screw terminal		
Wire Flexible [mm ²]	1-2,5			2,5-6		
Wire Solid [mm ²]	1-4			2,5-10		
Contact Screws [Ncm]	100 Ncm			110 Ncm		
Weight [g]	109	131	150	167	188	214



FLANGED PLUGS STRAIGHT

ITEM CODE	CURRENT(A)	RATED OPERATING VOLTAGE (V)	POLE	IP RATING
500-2242	63	230V - 50/60Hz - 6h	3	IP67
500-2243	63	230V - 50/60Hz - 9h	4	IP67
500-2244	63	230V - 50/60Hz - 9h	5	IP67
500-2121	63	400V - 50/60Hz - 6h	4	IP67
500-2122	63	400V - 50/60Hz - 6h	5	IP67

APPLICATIONS

Residential / Hotel / General Purpose / Industrial

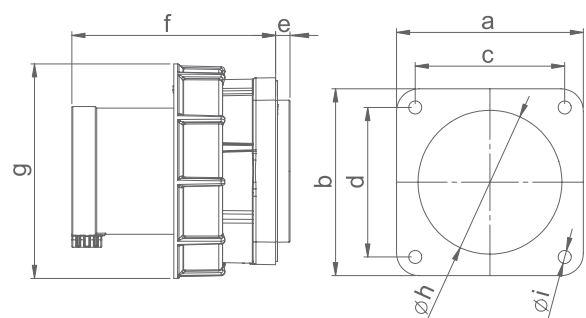
PRODUCT SPECIFICATIONS

Method of Application	: Flush
Method of Connecting Cables	: Rewireable
Type of Terminals	: Screw type
Method of Installation	: Fixed
Standard Complied	: IEC 60309 - 1 / IEC 60309 - 2
Materials	: Housing Material: PA6 Contacts: Nickel - plated



	Current (A)		
	63		
Pole (P)	3	4	5
a	100	100	100
b	100	100	100
c	80	80	80
d	80	80	80
Dimension (mm) e	8	8	8
f	109	109	109
g	115	115	115
h	77	77	77
i	7	7	7
Connection Type	Contact frame with screws		
Wire Flexible [mm ²]	6-16		
Wire Solid [mm ²]	6-25		
Contact Screws [Ncm]	200 Ncm		
Weight [g]	479	531	570

• Contact frame with screws



FLANGED PLUGS STRAIGHT

ITEM CODE	CURRENT(A)	RATED OPERATING VOLTAGE (V)	POLE	IP RATING
500-2245	125	230V - 50/60Hz - 6h	3	IP67
500-2246	125	230V - 50/60Hz - 9h	4	IP67
500-2247	125	230V - 50/60Hz - 9h	5	IP67
500-2123	125	400V - 50/60Hz - 6h	4	IP67
500-2124	125	400V - 50/60Hz - 6h	5	IP67

APPLICATIONS

Residential / Hotel / General Purpose / Industrial

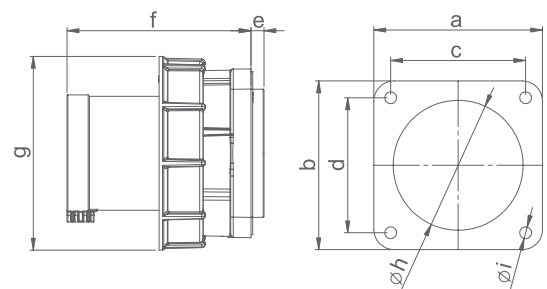
PRODUCT SPECIFICATIONS

Method of Application	: Flush
Method of Connecting Cables	: Rewireable
Type of Terminals	: Screw type
Method of Installation	: Fixed
Standard Complied	: IEC 60309 - 1 / IEC 60309 - 2
Materials	: Housing Material: PA6 Contacts: Nickel - plated



Current (A)	125		
Pole (P)	3	4	5
a	120	120	120
b	120	120	120
c	100	100	100
d	100	100	100
Dimension (mm)	e	13	13
	f	118	118
	g	131	131
	h	95	95
	i	7	7
Connection Type	Contact frame with screws		
Wire Flexible [mm ²]	16-50		
Wire Solid [mm ²]	16-70		
Contact Screws [Ncm]	450 Ncm		
Weight [g]	786	891	998

- Contact frame with hexagon socket screws



CONNECTORS

ITEM CODE	CURRENT(A)	RATED OPERATING VOLTAGE (V)	POLE	IP RATING
500-2020	16	110V - 50/60Hz - 4h	3	IP44
500-2021	16	230V - 50/60Hz - 6h	3	IP44
500-2248	16	230V - 50/60Hz - 9h	4	IP44
500-2249	16	230V - 50/60Hz - 9h	5	IP44
500-2022	16	400V - 50/60Hz - 6h	4	IP44
500-2023	16	400V - 50/60Hz - 6h	5	IP44
500-2024	32	230V - 50/60Hz - 6h	3	IP44
500-2250	32	230V - 50/60Hz - 9h	4	IP44
500-2251	32	230V - 50/60Hz - 9h	5	IP44
500-2025	32	400V - 50/60Hz - 6h	4	IP44
500-2026	32	400V - 50/60Hz - 6h	5	IP44

APPLICATIONS

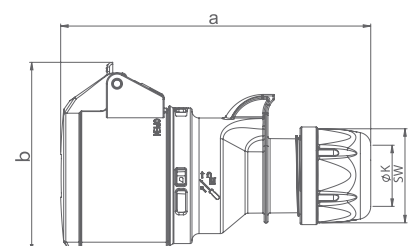
Residential / Hotel / General Purpose / Industrial

PRODUCT SPECIFICATIONS

Method of Application	: Movable
Method of Connecting Cables	: Rewireable
Type of Terminals	: Screw type
Method of Installation	: Fixed
Standard Complied	: IEC 60309 - 1 / IEC 60309 - 2
Materials	: Housing Material: PA6 Contacts: Brass



Current (A)	16			32			
	3	4	5	3	4	5	
Pole (P)							
Dimension (mm)	a	133	138	145	161	161	168
	b	74	82	89	94	94	99
Cable Ø [mm]	K	6-15	6-15	8-16	11,5-20	11,5-20	11,5-22
Connection Type		Screw terminal			Screw terminal		
Wire Flexible [mm ²]		1-2,5			2,5-6		
Contact Screws [Ncm]		100 Ncm			110 Ncm		
SW		42	42	42	50	50	50
Weight [g]		134	161	188	228	224	270



CONNECTORS

ITEM CODE	CURRENT(A)	RATED OPERATING VOLTAGE (V)	POLE	IP RATING
500-2033	16	110V - 50/60Hz - 4h	3	IP67
500-2034	16	230V - 50/60Hz - 6h	3	IP67
500-2252	16	230V - 50/60Hz - 9h	4	IP67
500-2253	16	230V - 50/60Hz - 9h	5	IP67
500-2035	16	400V - 50/60Hz - 6h	4	IP67
500-2036	16	400V - 50/60Hz - 6h	5	IP67
500-2037	32	230V - 50/60Hz - 6h	3	IP67
500-2254	32	230V - 50/60Hz - 9h	4	IP67
500-2255	32	230V - 50/60Hz - 9h	5	IP67
500-2038	32	400V - 50/60Hz - 6h	4	IP67
500-2039	32	400V - 50/60Hz - 6h	5	IP67

APPLICATIONS

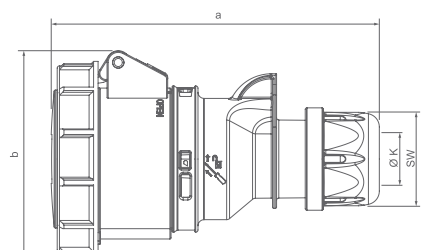
Residential / Hotel / General Purpose / Industrial

PRODUCT SPECIFICATIONS

Method of Application	: Movable
Method of Connecting Cables	: Rewireable
Type of Terminals	: Screw type
Method of Installation	: Fixed
Standard Complied	: IEC 60309 - 1 / IEC 60309 - 2
Materials	: Housing Material: PA6 Contacts: Brass



Current (A)	16			32			
	Pole (P)	3	4	5	3	4	5
Dimension (mm)	a	132	139	147	163	163	171
	b	78	84	92	96	96	102
Cable Ø [mm]	K	6-15	6-15	8-16	11,5-20	11,5-20	11,5-22
Connection Type		Screw terminal			Screw terminal		
Wire Flexible [mm ²]		1-2,5			2,5-6		
Contact Screws [Ncm]		100 Ncm			110 Ncm		
SW		42	42	42	50	50	50
Weight [g]		155	186	227	275	292	338



CONNECTORS

ITEM CODE	CURRENT(A)	RATED OPERATING VOLTAGE (V)	POLE	IP RATING
500-2256	63	230V - 50/60Hz - 6h	3	IP44
500-2257	63	230V - 50/60Hz - 9h	4	IP44
500-2258	63	230V - 50/60Hz - 9h	5	IP44
500-2259	63	400V - 50/60Hz - 6h	4	IP44
500-2260	63	400V - 50/60Hz - 6h	5	IP44

APPLICATIONS

Residential / Hotel / General Purpose / Industrial

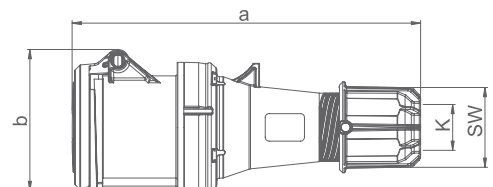
PRODUCT SPECIFICATIONS

Method of Application	: Movable
Method of Connecting Cables	: Rewireable
Type of Terminals	: Screw type
Method of Installation	: Fixed
Standard Complied	: IEC 60309 - 1 / IEC 60309 - 2
Materials	: Housing Material: PA6 Contacts: Brass with lamellar contact CuBe



Current (A)		63		
Pole (P)		3	4	5
Dimension (mm)	a	269	269	269
	b	107	107	107
Cable Ø [mm]	K	14,5-36	14,5-36	14,5-36
Connection Type		Contact frame with screws		
Wire Flexible [mm ²]		6-16		
Contact Screws [Ncm]		200 Ncm		
SW		61	61	61
Weight [g]		624	664	720

• Contact frame with screws



CONNECTORS

ITEM CODE	CURRENT(A)	RATED OPERATING VOLTAGE (V)	POLE	IP RATING
500-2027	63	230V - 50/60Hz - 6h	3	IP67
500-2261	63	230V - 50/60Hz - 9h	4	IP67
500-2262	63	230V - 50/60Hz - 9h	5	IP67
500-2028	63	400V - 50/60Hz - 6h	4	IP67
500-2029	63	400V - 50/60Hz - 6h	5	IP67

APPLICATIONS

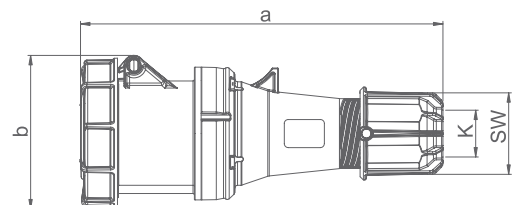
Residential / Hotel / General Purpose / Industrial

PRODUCT SPECIFICATIONS

Method of Application	: Movable
Method of Connecting Cables	: Rewireable
Type of Terminals	: Screw type
Method of Installation	: Fixed
Standard Complied	: IEC 60309 - 1 / IEC 60309 - 2
Materials	: Housing Material: PA6 Contacts: Brass with lamellar contact CuBe



Current (A)		63		
Pole (P)		3	4	5
Dimension (mm)	a	269	269	269
	b	114	114	114
Cable Ø [mm]	K	14,5-36	14,5-36	14,5-36
Connection Type		Contact frame with screws		
Wire Flexible [mm ²]		6-16		
Contact Screws [Ncm]		200 Ncm		
SW		61	61	61
Weight [g]		669	710	768



• Contact frame with screws

CONNECTORS

ITEM CODE	CURRENT(A)	RATED OPERATING VOLTAGE (V)	POLE	IP RATING
500-2030	125	110V - 50/60Hz - 6h	3	IP67
500-2263	125	230V - 50/60Hz - 9h	4	IP67
500-2264	125	230V - 50/60Hz - 9h	5	IP67
500-2031	125	400V - 50/60Hz - 6h	4	IP67
500-2032	125	400V - 50/60Hz - 6h	5	IP67

APPLICATIONS

Residential / Hotel / General Purpose / Industrial

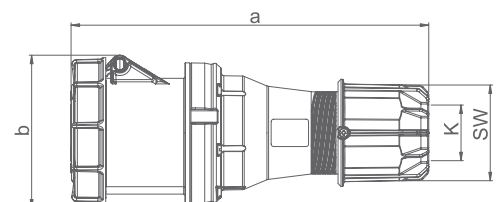
PRODUCT SPECIFICATIONS

Method of Application	: Movable
Method of Connecting Cables	: Rewireable
Type of Terminals	: Screw type
Method of Installation	: Fixed
Standard Complied	: IEC 60309 - 1 / IEC 60309 - 2
Materials	: Housing Material: PA6 Contacts: Brass with lamellar contact CuBe



Current (A)		125		
Pole (P)		3	4	5
Dimension (mm)	a	287	287	287
	b	124	124	124
Cable Ø [mm]	K	22,5-20	22,5-20	22,5-20
Connection Type		Contact frame with screws		
Wire Flexible [mm ²]		16-50		
Contact Screws [Ncm]		450 Ncm		
SW		81	81	81
Weight [g]		1060	1167	1266

• Contact frame with screws



WALL MOUNTED SOCKETS

ITEM CODE	CURRENT(A)	RATED OPERATING VOLTAGE (V)	POLE	IP RATING
500-2076	16	110V - 50/60Hz - 4h	3	IP44
500-2077	16	230V - 50/60Hz - 6h	3	IP44
500-2078	16	400V - 50/60Hz - 6h	4	IP44
500-2079	16	400V - 50/60Hz - 6h	5	IP44
500-2080	32	230V - 50/60Hz - 6h	3	IP44
500-2081	32	400V - 50/60Hz - 6h	4	IP44
500-2082	32	400V - 50/60Hz - 6h	5	IP44

APPLICATIONS

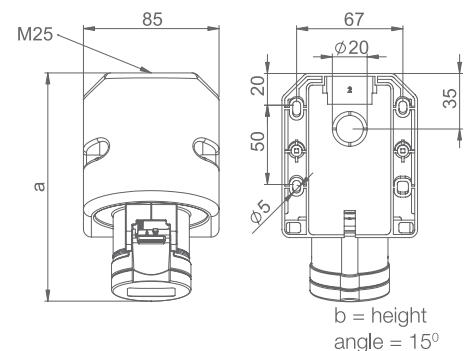
Residential / Hotel / General Purpose / Industrial

PRODUCT SPECIFICATIONS

Method of Application	: Surface mount
Method of Connecting Cables	: Rewireable
Type of Terminals	: Screw type
Method of Installation	: Fixed
Standard Complied	: IEC 60309 - 1 / IEC 60309 - 2
Materials	: Housing Material: PA6 Contacts: Brass



	Current (A)	16			32		
		Pole (P)	3	4	5	3	4
Dimension (mm)	a	142	145	144	155	155	157
	b	97	98	104	106	106	111
	M	25	25	25	25	25	25
Connection Type		Screw terminal			Screw terminal		
Wire Flexible [mm ²]		1-2,5			2,5-6		
Wire Solid [mm ²]		1-4			2,5-10		
Contact Screws [Ncm]		100 Ncm			110 Ncm		
Weight [g]		226	240	259	274	291	318



- With screw terminals
- Top and rear entry
- Included threaded cable grommet

WALL MOUNTED SOCKETS

ITEM CODE	CURRENT(A)	RATED OPERATING VOLTAGE (V)	POLE	IP RATING
500-2093	16	110V - 50/60Hz - 4h	3	IP67
500-2094	16	230V - 50/60Hz - 6h	3	IP67
500-2095	16	400V - 50/60Hz - 6h	4	IP67
500-2096	16	400V - 50/60Hz - 6h	5	IP67
500-2097	32	230V - 50/60Hz - 6h	3	IP67
500-2098	32	400V - 50/60Hz - 6h	4	IP67
500-2099	32	400V - 50/60Hz - 6h	5	IP67

APPLICATIONS

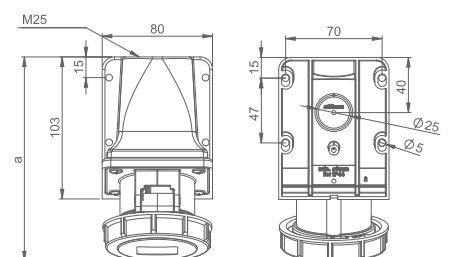
Residential / Hotel / General Purpose / Industrial

PRODUCT SPECIFICATIONS

Method of Application	: Surface mount
Method of Connecting Cables	: Rewireable
Type of Terminals	: Screw type
Method of Installation	: Fixed
Standard Complied	: IEC 60309 - 1 / IEC 60309 - 2
Materials	: Housing Material: PA6 Contacts: Brass



Current (A)	16			32			
	3	4	5	3	4	5	
Pole (P)							
Dimension (mm)	a	146	148	148	161	161	163
	b	96	99	102	108	108	112
	M*	25	25	25	25	25	25
Connection Type:		Screw terminal			Screw terminal		
Wire Flexible [mm ²]		1-2,5			2,5-6		
Wire Solid [mm ²]		1-4			2,5-10		
Contact Screws [Ncm]		100 Ncm			110 Ncm		
Weight [g]		226	241	275	298	314	351



• With screw terminals • Top and rear entry

WALL MOUNTED SOCKETS

ITEM CODE	CURRENT(A)	RATED OPERATING VOLTAGE (V)	POLE	IP RATING
500-2083	63	230V - 50/60Hz - 6h	3	IP67
500-2084	63	400V - 50/60Hz - 6h	4	IP67
500-2085	63	500V - 50/60Hz - 7h	4	IP67
500-2086	63	400V - 50/60Hz - 6h	5	IP67
500-2087	63	500V - 50/60Hz - 7h	5	IP67

APPLICATIONS

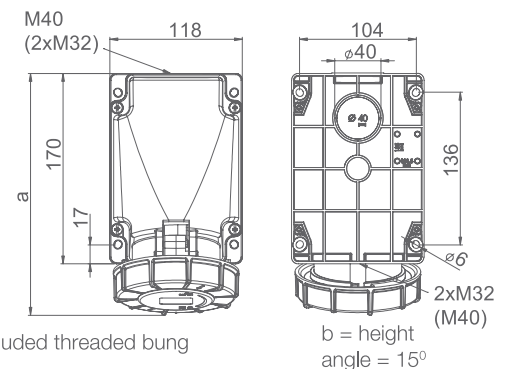
Residential / Hotel / General Purpose / Industrial

PRODUCT SPECIFICATIONS

Method of Application	: Surface mount
Method of Connecting Cables	: Rewireable
Type of Terminals	: Screw type
Method of Installation	: Fixed
Standard Complied	: IEC 60309 - 1 / IEC 60309 - 2
Materials	: Housing Material: PC/ABS Contacts: Brass with lamellar contact CuBe



Current (A)	63			
Pole (P)	3	4	5	
Dimension (mm)	a	213	213	213
	b	173	173	173
Connection Type	Contact frame with screws			
Wire Flexible [mm ²]	6-16			
Wire Solid [mm ²]	6-25			
Contact Screws [Ncm]	200 Ncm			
Weight [g]	820	869	923	



• Contact frame with screws • Top, bottom or rear entry • Housing can rotated by 180° • Included threaded bung

WALL MOUNTED SOCKETS

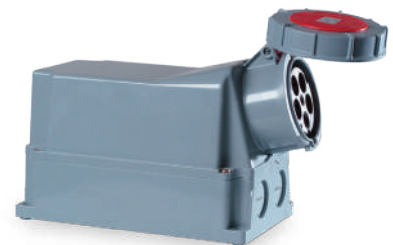
ITEM CODE	CURRENT(A)	RATED OPERATING VOLTAGE (V)	POLE	IP RATING
500-2088	125	230V - 50/60Hz - 6h	3	IP67
500-2089	125	400V - 50/60Hz - 6h	4	IP67
500-2090	125	500V - 50/60Hz - 7h	4	IP67
500-2091	125	400V - 50/60Hz - 6h	5	IP67
500-2092	125	500V - 50/60Hz - 7h	5	IP67

APPLICATIONS

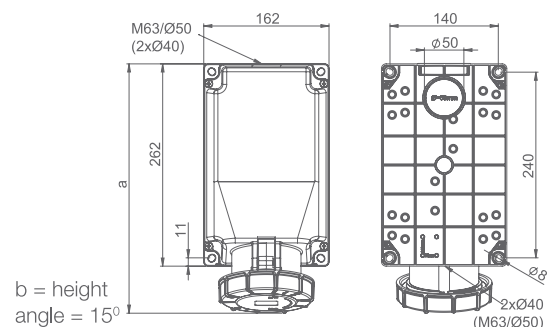
Residential / Hotel / General Purpose / Industrial

PRODUCT SPECIFICATIONS

Method of Application	: Surface mount
Method of Connecting Cables	: Rewireable
Type of Terminals	: Screw type
Method of Installation	: Fixed
Standard Complied	: IEC 60309 - 1 / IEC 60309 - 2
Materials	: Housing Material: PA/ABS Contacts: Brass with lamellar contact CuBe



Current (A)	125			
Pole (P)	3	4	5	
Dimension (mm)	a	322	322	322
	b	205	205	205
Connection Type	Contact frame with screw			
Wire Flexible [mm ²]	16-50			
Wire Solid [mm ²]	16-50			
Contact Screws [Ncm]	450 Ncm			
Weight [g]	1745	1752	1852	



- Contact frame with hexagon socket screws
- Top, bottom or rear entry
- Housing can be rotated by 180°
- Included threaded bung

FLANGED SOCKETS STRAIGHT

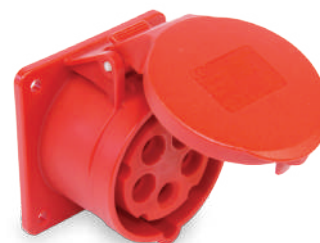
ITEM CODE	CURRENT(A)	RATED OPERATING VOLTAGE (V)	POLE	IP RATING
500-2040	16	110V - 50/60Hz - 4h	3	IP54 / IP44
500-2041	16	230V - 50/60Hz - 6h	3	IP54 / IP44
500-2265	16	230V - 50/60Hz - 9h	4	IP44
500-2266	16	230V - 50/60Hz - 9h	5	IP44
500-2042	16	400V - 50/60Hz - 6h	4	IP44
500-2043	16	400V - 50/60Hz - 6h	5	IP44
500-2044	32	230V - 50/60Hz - 6h	3	IP54 / IP44
500-2267	32	230V - 50/60Hz - 9h	4	IP44
500-2268	32	230V - 50/60Hz - 9h	5	IP44
500-2045	32	400V - 50/60Hz - 6h	4	IP44
500-2046	32	400V - 50/60Hz - 6h	5	IP44

APPLICATIONS

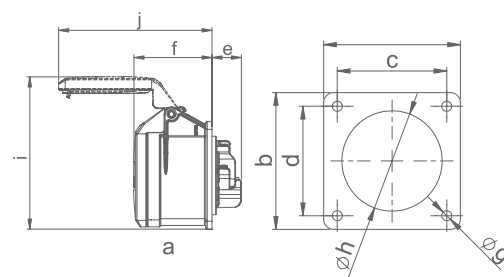
Residential / Hotel / General Purpose / Industrial

PRODUCT SPECIFICATIONS

Method of Application	: Flush
Method of Connecting Cables	: Rewireable
Type of Terminals	: Screw type
Method of Installation	: Fixed
Standard Complied	: IEC 60309 - 1 / IEC 60309 - 2
Materials	: Housing Material: PA6 Contacts: Brass



Current (A)	16			32			
	Pole (P)	3	4	5	3	4	5
Flange a x b		75	75	75	75	75	75
Fixing Center c x d		60	60	60	60	60	60
Dimension (mm)	e	21	21	21	23	23	23
	f	55	55	55	67	67	67
	g	5,5	5,5	5,5	5,5	5,5	5,5
	h	43	45	55	55	55	58
	i	89	104	107	112	112	108
	j	101	101	107	122	122	136
Connection Type		Screw terminal			Screw terminal		
Wire Flexible [mm ²]		1-2,5			2,5-6		
Wire Solid [mm ²]		1-4			2,5-10		
Contact Screws [Ncm]		100 Ncm			110 Ncm		
Weight [g]		120	132	150	167	182	210



FLANGED SOCKETS STRAIGHT

ITEM CODE	CURRENT(A)	RATED OPERATING VOLTAGE (V)	POLE	IP RATING
500-2047	16	110V - 50/60Hz - 4h	3	IP67
500-2048	16	230V - 50/60Hz - 6h	3	IP67
500-2269	16	230V - 50/60Hz - 9h	4	IP67
500-2270	16	230V - 50/60Hz - 9h	5	IP67
500-2049	16	400V - 50/60Hz - 6h	4	IP67
500-2050	16	400V - 50/60Hz - 6h	5	IP67
500-2051	32	230V - 50/60Hz - 6h	3	IP67
500-2271	32	230V - 50/60Hz - 9h	4	IP67
500-2272	32	230V - 50/60Hz - 9h	5	IP67
500-2052	32	400V - 50/60Hz - 6h	4	IP67
500-2053	32	400V - 50/60Hz - 6h	5	IP67

APPLICATIONS

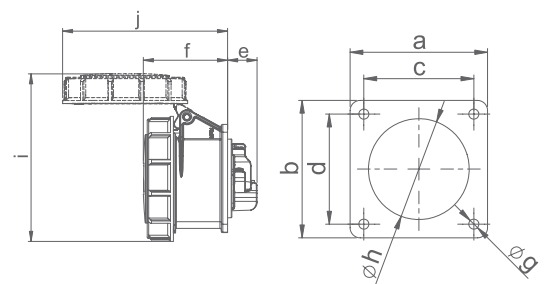
Residential / Hotel / General Purpose / Industrial

PRODUCT SPECIFICATIONS

Method of Application	: Flush
Method of Connecting Cables	: Rewireable
Type of Terminals	: Screw type
Method of Installation	: Fixed
Standard Complied	: IEC 60309 - 1 / IEC 60309 - 2
Materials	: Housing Material: PA6 Contacts: Brass



Current (A)	16			32			
	Pole (P)	3	4	5	3	4	5
Flange a x b		75	75	75	75	75	75
Fixing Center c x d		60	60	60	60	60	60
Dimension (mm)	e	21	21	21	23	23	23
	f	56	57	59	69	69	71
	g	5,5	5,5	5,5	5,5	5,5	5,5
	h	43	45	55	55	55	58
	i	102	108	117	122	122	130
	j	101	109	115	130	130	136
Connection Type		Screw terminal			Screw terminal		
Wire Flexible [mm ²]		1-2,5			2,5-6		
Wire Solid [mm ²]		1-4			2,5-10		
Contact Screws [Ncm]		100 Ncm			110 Ncm		
Weight [g]		135	153	183	206	226	260



FLANGED SOCKETS STRAIGHT

ITEM CODE	CURRENT(A)	RATED OPERATING VOLTAGE (V)	POLE	IP RATING
500-2273	63	230V - 50/60Hz - 6h	3	IP67
500-2274	63	230V - 50/60Hz - 9h	4	IP67
500-2275	63	230V - 50/60Hz - 9h	5	IP67
500-2054	63	400V - 50/60Hz - 6h	4	IP67
500-2055	63	400V - 50/60Hz - 6h	5	IP67

APPLICATIONS

Residential / Hotel / General Purpose / Industrial

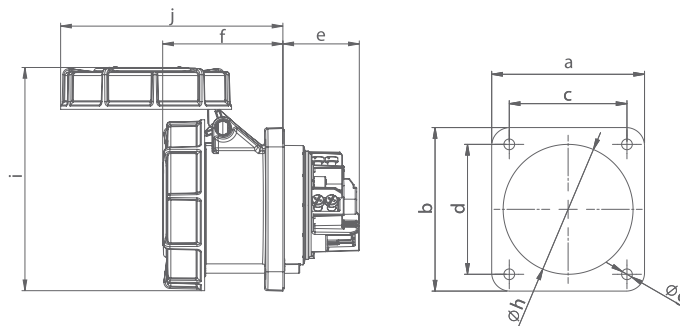
PRODUCT SPECIFICATIONS

Method of Application	: Flush
Method of Connecting Cables	: Rewireable
Type of Terminals	: Screw type
Method of Installation	: Fixed
Standard Complied	: IEC 60309 - 1 / IEC 60309 - 2
Materials	: Plastic: PA6 Contacts: Brass with lamellar contact CuBe



Current (A)	63		
Pole (P)	3	4	5
a	100	100	100
b	100	100	100
c	80	80	80
d	80	80	80
e	50	50	50
f	80	80	80
g	7	7	7
h	85	85	85
i	147	147	147
j	146	146	146
Connection Type	Contact frame with screws		
Wire Flexible [mm ²]	6-16		
Wire Solid [mm ²]	6-25		
Contact Screws [Ncm]	200 Ncm		
Weight [g]	488	533	587

• Contact frame with screws



FLANGED SOCKETS STRAIGHT

ITEM CODE	CURRENT(A)	RATED OPERATING VOLTAGE (V)	POLE	IP RATING
500-2276	125	230V - 50/60Hz - 9h	4	IP67
500-2277	125	230V - 50/60Hz - 9h	5	IP67
500-2056	125	400V - 50/60Hz - 6h	4	IP67
500-2057	125	400V - 50/60Hz - 6h	5	IP67

APPLICATIONS

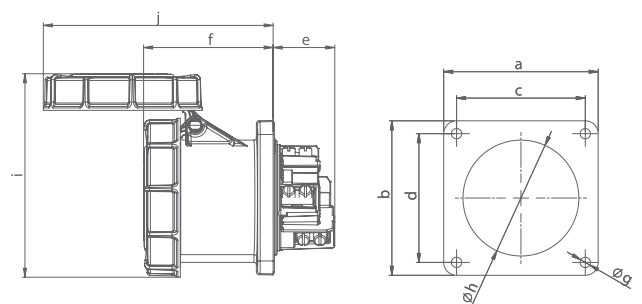
Residential / Hotel / General Purpose / Industrial

PRODUCT SPECIFICATIONS

Method of Application	: Flush
Method of Connecting Cables	: Rewireable
Type of Terminals	: Screw type
Method of Installation	: Fixed
Standard Complied	: IEC 60309 - 1 / IEC 60309 - 2
Materials	: Plastic: PA6 Contacts: Brass with lamellar contact CuBe



	125	
	4	5
Current (A)	125	
Pole (P)	4	5
Flange a x b	120	120
Fixing Center c x d	100	100
e	48	48
f	101	101
Dimension (mm) g	8	8
h	90	90
i	59	159
j	179	179
Connection Type:	Contact frame with screws	
Wire Flexible [mm ²]	16-50	
Wire Solid [mm ²]	16-70	
Contact Screws [Ncm]	450 Ncm	
Weight [g]	890	986



- Contact frame with hexagon socket screws

FLANGED SOCKETS SLOPING

ITEM CODE	CURRENT(A)	RATED OPERATING VOLTAGE (V)	POLE	IP RATING
500-2058	16	110V - 50/60Hz - 4h	3	IP44 / IP54
500-2059	16	230V - 50/60Hz - 6h	3	IP44 / IP54
500-2278	16	230V - 50/60Hz - 9h	4	IP44
500-2279	16	230V - 50/60Hz - 9h	5	IP44 / IP54
500-2060	16	400V - 50/60Hz - 6h	4	IP44
500-2061	16	400V - 50/60Hz - 6h	5	IP44 / IP54
500-2062	32	230V - 50/60Hz - 6h	3	IP44
500-2280	32	230V - 50/60Hz - 9h	4	IP44
500-2281	32	230V - 50/60Hz - 9h	5	IP44 / IP54
500-2063	32	400V - 50/60Hz - 6h	4	IP44
500-2064	32	400V - 50/60Hz - 6h	5	IP44 / IP54

APPLICATIONS

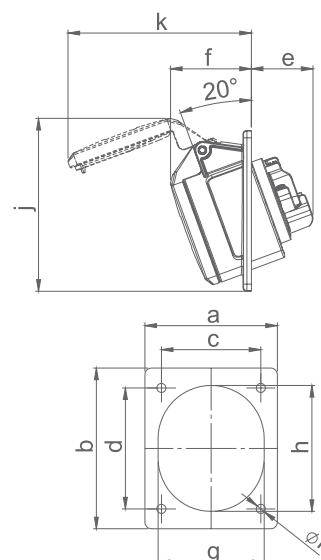
Residential / Hotel / General Purpose / Industrial

PRODUCT SPECIFICATIONS

Method of Application	: Flush
Method of Connecting Cables	: Rewireable
Type of Terminals	: Screw type
Method of Installation	: Fixed
Standard Complied	: IEC 60309 - 1 / IEC 60309 - 2
Materials	: Housing Material: PA6 Contacts: Brass



	Current (A)	16			32		
		3	4	5	3	4	5
Dimension (mm)	a	80	80	80	80	80	80
	b	97	97	97	97	97	97
	c	60	60	60	60	60	60
	d	73	73	73	73	73	73
	e	38	38	38	48	48	48
	f	47	47	49	54	54	55
	g	51	56	65	65	65	70
	h	61	67	76	75	75	80
	i	5,5	5,5	5,5	5,5	5,5	5,5
	j	97	103	105	105	105	99
	k	99	104	111	119	119	130
Connection Type		Screw terminal			Screw terminal		
Wire Flexible [mm ²]		1-2,5			2,5-6		
Wire Solid [mm ²]		1-4			2,5-10		
Contact Screws [Ncm]		100 Ncm			110 Ncm		
Weight [g]		116	132	154	166	182	214



FLANGED SOCKETS SLOPING

ITEM CODE	CURRENT(A)	RATED OPERATING VOLTAGE (V)	POLE	IP RATING
500-2065	16	110V - 50/60Hz - 4h	3	IP67
500-2066	16	230V - 50/60Hz - 6h	3	IP67
500-2282	16	230V - 50/60Hz - 9h	4	IP67
500-2283	16	230V - 50/60Hz - 9h	5	IP67
500-2067	16	400V - 50/60Hz - 6h	4	IP67
500-2068	16	400V - 50/60Hz - 6h	5	IP67
500-2069	32	230V - 50/60Hz - 6h	3	IP67
500-2284	32	230V - 50/60Hz - 9h	4	IP67
500-2285	32	230V - 50/60Hz - 9h	5	IP67
500-2070	32	400V - 50/60Hz - 6h	4	IP67
500-2071	32	400V - 50/60Hz - 6h	5	IP67

APPLICATIONS

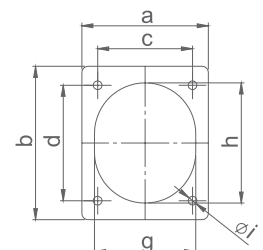
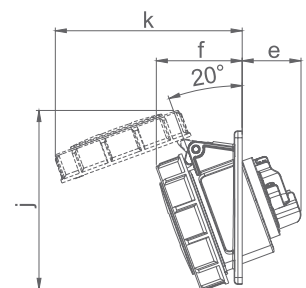
Residential / Hotel / General Purpose / Industrial

PRODUCT SPECIFICATIONS

Method of Application	: Flush
Method of Connecting Cables	: Rewireable
Type of Terminals	: Screw type
Method of Installation	: Fixed
Standard Complied	: IEC 60309 - 1 / IEC 60309 - 2
Materials	: Housing Material: PA6 Contacts: Brass



Current (A)	16			32		
	3	4	5	3	4	5
Pole (P)	3	4	5	3	4	5
Dimension (mm)	a	80	80	80	80	80
	b	97	97	97	97	97
	c	60	60	60	60	60
	d	73	73	73	73	73
	e	38	38	38	48	48
	f	50	52	55	59	61
	g	51	56	65	65	70
	h	61	67	76	75	80
	i	5,5	5,5	5,5	5,5	5,5
	j	102	106	114	120	120
	k	113	110	119	127	133
Connection Type:	Screw terminal			Screw terminal		
Wire Flexible [mm ²]	1-2,5			2,5-6		
Wire Solid [mm ²]	1-4			2,5-10		
Contact Screws [Ncm]	100 Ncm			110 Ncm		
Weight [g]	131	153	186	207	224	262



FLANGED SOCKETS SLOPING

ITEM CODE	CURRENT(A)	RATED OPERATING VOLTAGE (V)	POLE	IP RATING
500-2286	63	230V - 50/60Hz - 9h	4	IP67
500-2287	63	230V - 50/60Hz - 9h	5	IP67
500-2072	63	400V - 50/60Hz - 6h	4	IP67
500-2073	63	400V - 50/60Hz - 6h	5	IP67

APPLICATIONS

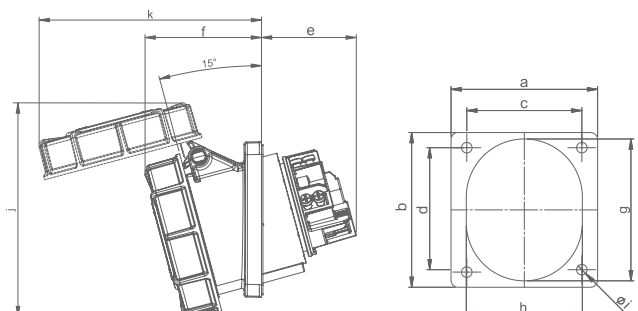
Residential / Hotel / General Purpose / Industrial

PRODUCT SPECIFICATIONS

Method of Application	: Flush
Method of Connecting Cables	: Rewireable
Type of Terminals	: Screw type
Method of Installation	: Fixed
Standard Complied	: IEC 60309 - 1 / IEC 60309 - 2
Materials	: Housing Material: PA6 Contacts: Brass with lamellar contact CuBe



Current (A)	63	
Pole (P)	4	5
a	100	100
b	112	112
c	80	80
d	88	88
e	64	64
Dimension (mm)	f	80
	g	92
	h	82
	i	7
	j	148
	k	154
Connection Type	Contact frame with screws	
Wire Flexible [mm ²]	6-16	
Wire Solid [mm ²]	6-25	
Contact Screws [Ncm]	200 Ncm	
Weight [g]	540	595



• Contact frame with screws

FLANGED SOCKETS SLOPING

ITEM CODE	CURRENT(A)	RATED OPERATING VOLTAGE (V)	POLE	IP RATING
500-2074	125	400V - 50/60Hz - 6h	4	IP67
500-2075	125	400V - 50/60Hz - 6h	5	IP67

APPLICATIONS

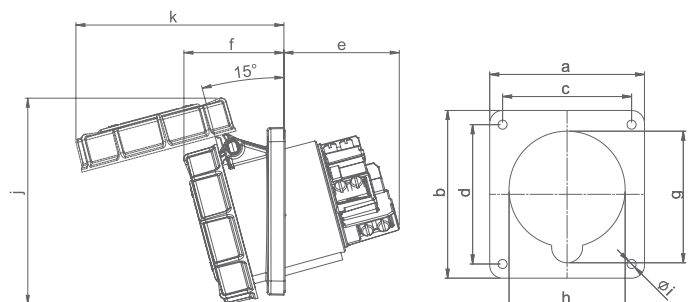
Residential / Hotel / General Purpose / Industrial

PRODUCT SPECIFICATIONS

Method of Application	: Flush
Method of Connecting Cables	: Rewireable
Type of Terminals	: Screw type
Method of Installation	: Fixed
Standard Complied	: IEC 60309 - 1 / IEC 60309 - 2
Materials	: Housing Material: PA6 Contacts: Brass with lamellar contact CuBe



	Current (A)		
	125		
Pole (P)	4	5	
Dimension (mm)	a	120	120
	b	130	130
	c	100	100
	d	108	108
	e	92	92
	f	77	77
	g	102	102
	h	90	90
	i	7	7
	j	160	160
	k	162	162
Connection Type	Contact frame with screws		
Wire Flexible [mm ²]	16-50		
Wire Solid [mm ²]	16-70		
Contact Screws [Ncm]	450 Ncm		
Weight [g]	896	995	



- Contact frame with hexagon socket screws

SWITCHED INTERLOCKED SOCKETS FOR WALL MOUNTING

ITEM CODE	CURRENT(A)	RATED OPERATING VOLTAGE (V)	POLE	IP RATING
500-2100	16	230V - 50/60Hz - 6h	3	IP44
500-2101	16	400V - 50/60Hz - 6h	4	IP44
500-2102	16	400V - 50/60Hz - 6h	5	IP44
500-2103	32	230V - 50/60Hz - 6h	3	IP44
500-2104	32	400V - 50/60Hz - 6h	4	IP44
500-2105	32	400V - 50/60Hz - 6h	5	IP44

APPLICATIONS

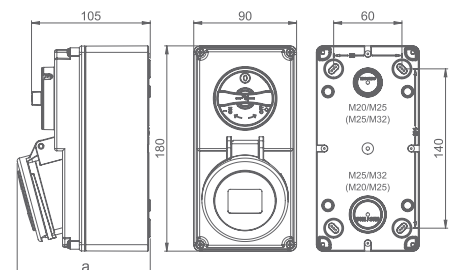
Residential / Hotel / General Purpose / Industrial

PRODUCT SPECIFICATIONS

Method of Application	: Surface mount
Method of Connecting Cables	: Rewireable
Type of Terminals	: Screw type
Method of Installation	: Fixed
Standard Complied	: IEC 60309 - 1 / IEC 60309 - 2 / IEC 60309 - 4
Materials	: Housing Material: PA6 Contacts: Nickel - plated



Current (A)	16			32		
	3	4	5	3	4	5
Pole (P)	3	4	5	3	4	5
Dimension (mm) a	115	116	117	123	123	124
Connection Type	Screw terminal			Screw terminal		
Wire Flexible [mm ²]	1,5-2,5			2,5-6		
Wire Solid [mm ²]	1,5-4			2,5-10		
Weight [g]	617	641	664	666	691	726



- Mechanical interlock
- Rear entry M20 / M25 & M25 / M32
- Bottom part can be rotated 180°

SWITCHED INTERLOCKED SOCKETS FOR WALL MOUNTING

ITEM CODE	CURRENT(A)	RATED OPERATING VOLTAGE (V)	POLE	IP RATING
500-2106	16	230V - 50/60Hz - 6h	3	IP67
500-2107	16	400V - 50/60Hz - 6h	4	IP67
500-2108	16	400V - 50/60Hz - 6h	5	IP67
500-2109	32	230V - 50/60Hz - 6h	3	IP67
500-2110	32	400V - 50/60Hz - 6h	4	IP67
500-2111	32	400V - 50/60Hz - 6h	5	IP67

APPLICATIONS

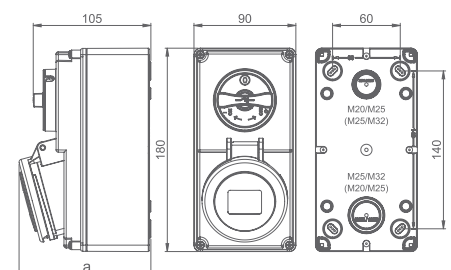
Residential / Hotel / General Purpose / Industrial

PRODUCT SPECIFICATIONS

Method of Application	: Surface mount
Method of Connecting Cables	: Rewireable
Type of Terminals	: Screw type
Method of Installation	: Fixed
Standard Complied	: IEC 60309 - 1 / IEC 60309 - 2 / IEC 60309 - 4
Materials	: Housing Material: PA6 Contacts: Nickel - plated



Current (A)	16			32		
	3	4	5	3	4	5
Pole (P)	3	4	5	3	4	5
Dimension (mm) a	119	120	122	125	125	128
Connection Type	Screw terminal			Screw terminal		
Wire Flexible [mm ²]	1,5-2,5			2,5-6		
Wire Solid [mm ²]	1,5-4			2,5-10		
Weight [g]	636	664	694	698	725	765



- Mechanical interlock
- Rear entry M20 / M25 & M25 / M32
- Bottom part can be rotated 180°

SWITCHED INTERLOCKED SOCKETS FOR WALL MOUNTING

ITEM CODE	CURRENT(A)	RATED OPERATING VOLTAGE (V)	POLE	IP RATING
500-2112	63	230V - 50/60Hz - 6h	3	IP67
500-2113	63	400V - 50/60Hz - 6h	4	IP67
500-2114	63	400V - 50/60Hz - 6h	5	IP67

APPLICATIONS

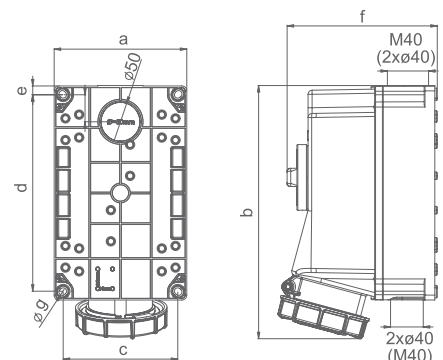
Residential / Hotel / General Purpose / Industrial

PRODUCT SPECIFICATIONS

Method of Application	: Surface mount
Method of Connecting Cables	: Rewireable
Type of Terminals	: Screw type
Method of Installation	: Fixed
Standard Complied	: IEC 60309 - 1 / IEC 60309 - 2 / IEC 60309 - 4
Materials	: Housing Material: PC/ABS Contacts: Brass with lamellar contact CuBe



Current (A)	63		
Pole (P)	3	4	5
a	162	162	162
b	310	310	310
c	140	140	140
d	240	240	240
e	11	11	11
f	184	184	184
g	9	9	9
Connection Type	Screw terminal		
Wire Flexible [mm ²]	6-25		
Wire Solid [mm ²]	6-35		
Contact Screws [Ncm]	200 Ncm		
Weight [g]	2049	2032	2179



- With screw terminals • Mechanical interlock • Top, bottom or rear entry • Housing can be rotated by 1800 • Included threaded bung

SWITCHED INTERLOCKED FOR WALL MOUNTING

ITEM CODE	CURRENT(A)	RATED OPERATING VOLTAGE (V)	POLE	IP RATING
500-2190	16	230V - 50/60Hz - 6h	3	IP67
500-2191	16	400V - 50/60Hz - 6h	5	IP67
500-2192	32	400V - 50/60Hz - 6h	5	IP67

APPLICATIONS

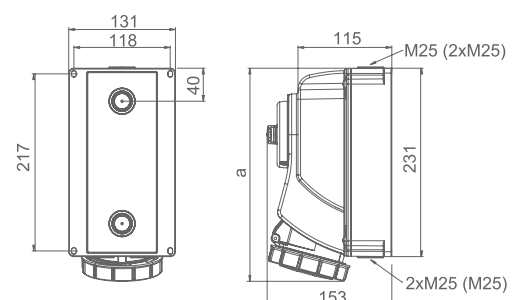
Residential / Hotel / General Purpose / Industrial

PRODUCT SPECIFICATIONS

Method of Application	: Surface mount
Method of Connecting Cables	: Rewireable
Type of Terminals	: Screw type
Method of Installation	: Fixed
Standard Complied	: IEC 60309-1 / IEC 60309-2 / IEC 60309-4
Materials	: Housing Material: PC / ABS Contacts: Nickel - plated



Current (A)	16		32
Pole (P)	3	5	5
Dimension (mm)	a	231	253
	b	153	153
	M	3x25	3x25
Connection Type	Screw terminal		Screw terminal
Wire Flexible [mm ²]	1,5-2,5		2,5-6
Wire Solid [mm ²]	1,5-4		2,5-10
Weight [g]	1130	1190	1270



- Mechanical interlock
- Top, bottom or rear entry
- Threaded bung is included

SWITCHED INTERLOCK SOCKET WITH DIN-RAIL

ITEM CODE	CURRENT(A)	RATED OPERATING VOLTAGE (V)	POLE	IP RATING
500-2193	16	400V - 50/60Hz - 6h	5	IP44
500-2194	32	400V - 50/60Hz - 6h	5	IP44

APPLICATIONS

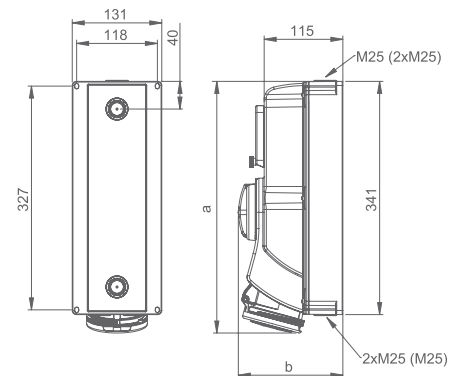
Residential / Hotel / General Purpose / Industrial

PRODUCT SPECIFICATIONS

Method of Application	: Surface mount
Method of Connecting Cables	: Rewireable
Type of Terminals	: Screw type
Method of Installation	: Fixed
Standard Complied	: IEC 60309-1 / IEC 60309-2 / IEC 6030-4
Materials	: Housing Material: PC / ABS Contacts: Nickel - plated



	16	32	
Current (A)	16	32	
Pole (P)	5	5	
Dimension (mm)	a	359	369
	b	153	153
	M	3x25	3x25
Connection Type	Screw terminal	Screw terminal	
Wire Flexible [mm ²]	1,5-2,5	2,5-6	
Wire Solid [mm ²]	1,5-4	2,5-10	
Weight [g]	1505	1570	



- Mechanical interlock • Top, bottom or rear entry • Threaded bung is included • With DIN-rail and hinged window for 5 modules.

EXTRA LOW VOLTAGE - PLUGS

ITEM CODE	CURRENT(A)	RATED OPERATING VOLTAGE (V)	POLE	IP RATING
500-2139	16	24V - 50/60Hz	2	IP44
500-2140	16	24V - 50/60Hz	3	IP44
500-2141	16	42V - 50/60Hz - 12h	2	IP44
500-2142	16	42V - 50/60Hz - 12h	3	IP44

APPLICATIONS

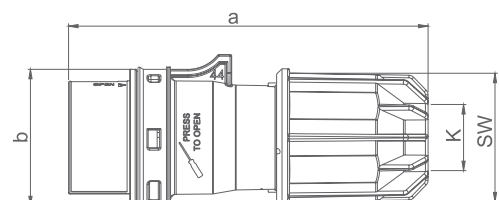
Residential / Hotel / General Purpose / Industrial

PRODUCT SPECIFICATIONS

Method of Application	: Movable
Method of Connecting Cables	: Rewireable
Type of Terminals	: Screw type
Method of Installation	: Fixed
Standard Complied	: IEC 60309 - 1 / IEC 60309 - 2
Materials	: Housing Material: PA6 Contacts: Nickel - plated



Current (A)	16		
Pole (P)	2	3	
Dimension (mm)	a	135	135
	b	51	51
	c	51	51
Cable Ø [mm]	K	9,5-24	9,5-24
Connection Type	Screw terminal		
Wire Flexible [mm ²]	1-10		
Contact Screws [Ncm]	160 Ncm		
SW	48		
Weight [g]	142	160	



EXTRA LOW VOLTAGE - CONNECTORS

ITEM CODE	CURRENT(A)	RATED OPERATING VOLTAGE (V)	POLE	IP RATING
500-2143	16	24V - 50/60Hz	2	IP44
500-2144	16	24V - 50/60Hz	3	IP44
500-2145	16	42V - 50/60Hz - 12h	2	IP44
500-2146	16	42V - 50/60Hz - 12h	3	IP44

APPLICATIONS

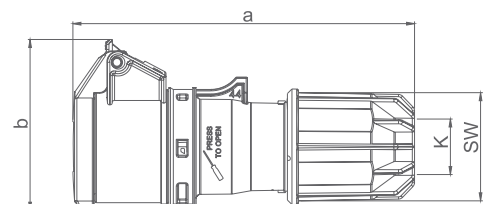
Residential / Hotel / General Purpose / Industrial

PRODUCT SPECIFICATIONS

Method of Application	: Movable
Method of Connecting Cables	: Rewireable
Type of Terminals	: Screw type
Method of Installation	: Fixed
Standard Complied	: IEC 60309 - 1 / IEC 60309 - 2
Materials	: Housing Material: PA6 Contacts: Nickel - plated



Current (A)		16	
Pole (P)		2	3
Dimension (mm)	a	150	150
	b	75	75
	c	51	51
Cable Ø [mm]	K	9,5-24	9,5-24
Connection Type		Screw terminal	
Wire Flexible [mm ²]		1-10	
Contact Screws [Ncm]		160 Ncm	
SW		48	
Weight [g]		179	199



EXTRA LOW VOLTAGE FLANGED SOCKETS STRAIGHT

ITEM CODE	CURRENT(A)	RATED OPERATING VOLTAGE (V)	POLE	IP RATING
500-2147	16	24V - 50/60Hz	2	IP44 / IP54
500-2148	16	24V - 50/60Hz	3	IP44 / IP54
500-2149	16	42V - 50/60Hz - 12h	2	IP44 / IP54
500-2150	16	42V - 50/60Hz - 12h	3	IP44 / IP54

APPLICATIONS

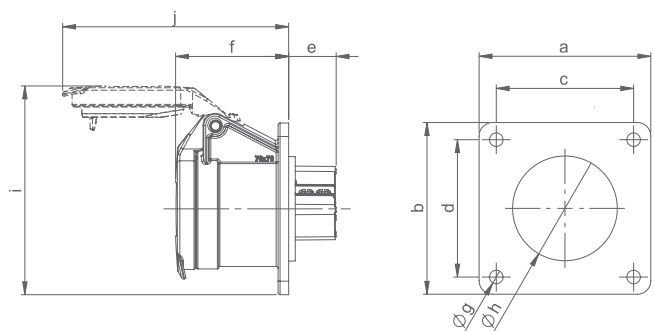
Residential / Hotel / General Purpose / Industrial

PRODUCT SPECIFICATIONS

Method of Application	: Flush
Method of Connecting Cables	: Rewireable
Type of Terminals	: Screw type
Method of Installation	: Fixed
Standard Complied	: IEC 60309 - 1 / IEC 60309 - 2
Materials	: Housing Material: PA6 Contacts: Nickel - plated



Current (A)	16		
Voltage (V)	24		
Pole (P)	2	3	
Dimension (mm)	a	54	54
	b	60	60
	c	44	44
	d	44	44
	e	19	19
	f	47	47
	Ø g	5,5	5,5
	Ø h	43	43
	i	81	81
	j	93	93
Connection type	Screw terminal		
Wire Flexible [mm ²]	1-10		
Wire Solid [mm ²]	1,5-10		
Contact Screws	110 Ncm		
Weight [g]	109	130	



CONTAINER PLUG

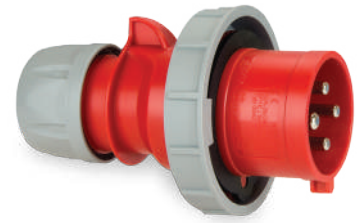
ITEM CODE	CURRENT(A)	RATED OPERATING VOLTAGE (V)	POLE	IP RATING
500-2151	32	440V - 50/60Hz - 3h	4	IP67

APPLICATIONS

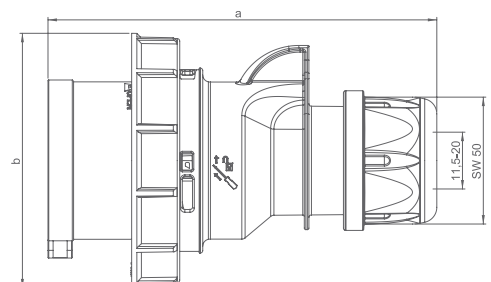
Residential / Hotel / General Purpose / Industrial

PRODUCT SPECIFICATIONS

Method of Application	: Flush
Method of Connecting Cables	: Rewireable
Type of Terminals	: Screw type
Method of Installation	: Fixed
Standard Complied	: IEC 60309 - 1 / IEC 60309 - 2
Materials	: Housing Material: PA6 Contacts: Nickel - plated contats



Current (A)		32
Pole (P)		4
Dimension (mm)	a	150
	b	93



CONTAINER CONNECTORS

ITEM CODE	CURRENT(A)	RATED OPERATING VOLTAGE (V)	POLE	IP RATING
500-2152	32	440V - 50/60Hz - 3h	4	IP67

APPLICATIONS

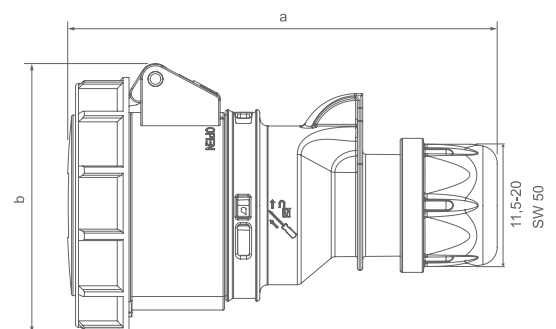
Residential / Hotel / General Purpose / Industrial

PRODUCT SPECIFICATIONS

Method of Application	: Movable
Method of Connecting Cables	: Rewireable
Type of Terminals	: Screw type
Method of Installation	: Fixed
Standard Complied	: IEC 60309 - 1 / IEC 60309 - 2
Materials	: Housing Material: PA6 Contacts: Nickel - plated



Current (A)		32
Pole (P)		4
Dimension (mm)	a	163
	b	96



CONTAINER WALL MOUNTED SOCKETS

ITEM CODE	CURRENT(A)	RATED OPERATING VOLTAGE (V)	POLE	IP RATING
500-2153	32	440V - 50/60Hz - 3h	4	IP67

APPLICATIONS

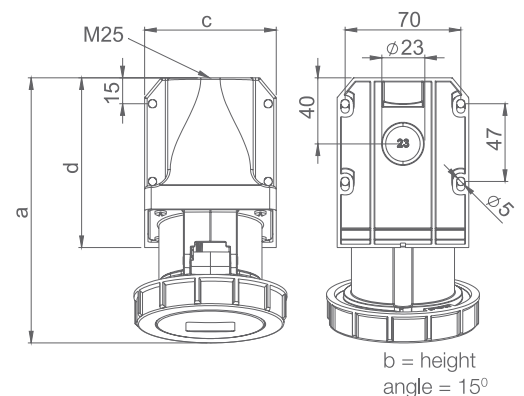
Residential / Hotel / General Purpose / Industrial

PRODUCT SPECIFICATIONS

Method of Application	: Surface mount
Method of Connecting Cables	: Rewireable
Type of Terminals	: Screw type
Method of Installation	: Fixed
Standard Complied	: IEC 60309 - 1 / IEC 60309 - 2
Materials	: Housing Material: PA6 Contacts: Nickel - plated



Current (A)		32
Pole (P)		4
Dimension (mm)	a	161
	b	108
	c	80
	d	103



CONTAINER FLANGED SOCKET STRAIGHT

ITEM CODE	CURRENT(A)	RATED OPERATING VOLTAGE (V)	POLES	IP RATING
500-2154	32	440V - 50/60Hz - 3h	4	IP67

APPLICATIONS

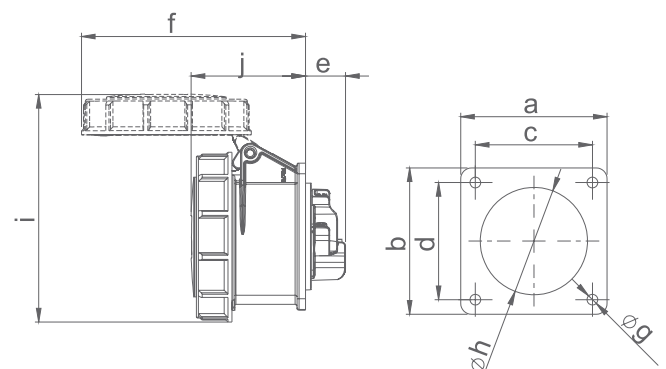
Residential / Hotel / General Purpose / Industrial

PRODUCT SPECIFICATIONS

Method of Application	: Flush
Method of Connecting Cables	: Rewireable
Type of Terminals	: Screw type
Method of Installation	: Fixed
Standard Complied	: IEC 60309 - 1 / IEC 60309 - 2
Materials	: Housing Material: PA6 Contacts: Nickel - plated



Current (A)	32
Pole (P)	4
Flange a x b	75
Fixing Center c x d	60
e	23
f	130
g	5,50
h	55
i	122
j	69



CONTAINER FLANGED SOCKET SLOPING

ITEM CODE	CURRENT(A)	RATED OPERATING VOLTAGE (V)	POLE	IP RATING
500-2155	32	440V - 50/60Hz - 3h	4	IP67

APPLICATIONS

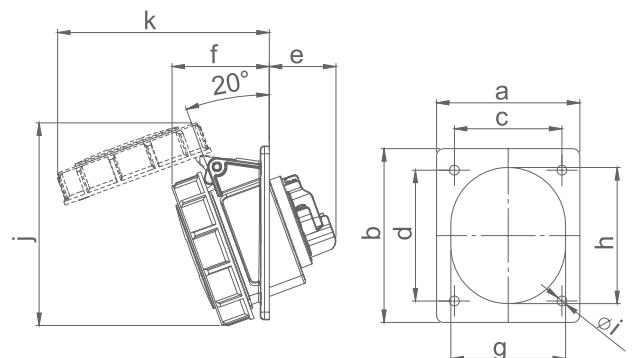
Residential / Hotel / General Purpose / Industrial

PRODUCT SPECIFICATIONS

Method of Application	: Flush
Method of Connecting Cables	: Rewireable
Type of Terminals	: Screw type
Method of Installation	: Fixed
Standard Complied	: IEC 60309 - 1 / IEC 60309 - 2
Materials	: Housing Material: PA6 Contacts: Nickel - plated



Current (A)	32
Poles (P)	4
Dimension (mm)	
a	80
b	97
c	60
d	73
e	48
f	59
g	65
h	75
i	5,5
j	120
k	127



CONTAINER SWITCHED INTERLOCKED SOCKETS

ITEM CODE	CURRENT(A)	RATED OPERATING VOLTAGE (V)	POLES	IP RATING
500-2156	32	440V - 50/60Hz - 3h	4	IP67

APPLICATIONS

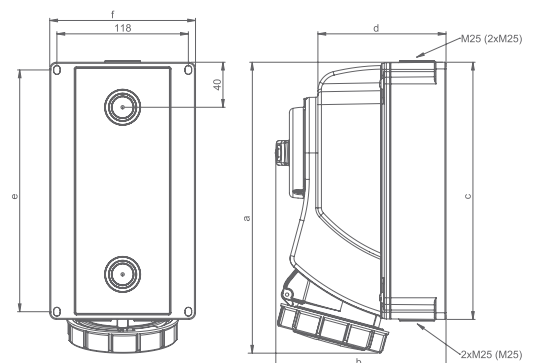
Residential / Hotel / General Purpose / Industrial

PRODUCT SPECIFICATIONS

Method of Application	: Surface mount
Method of Connecting Cables	: Rewireable
Type of Terminals	: Screw type
Method of Installation	: Fixed
Standard Complied	: IEC 60309 - 1 / IEC 60309 - 2 / IEC 60309 - 4
Materials	: Housing Material: PA6 Contacts: Nickel - plated



Current (A)	32	
Poles (P)	4	
Dimension (mm)	a	260
	b	153
	c	231
	d	115
	e	217
	f	131



- Mechanical interlock
- Lockable by padlock
- Upto 3x M25 cable entries

PHASE INVERTER PLUGS

ITEM CODE	CURRENT(A)	RATED OPERATING VOLTAGE (V)	POLE	IP RATING
500-2158	16	400V - 50/60Hz - 6h	4	IP44
500-2159	16	400V - 50/60Hz - 6h	5	IP44
500-2160	32	400V - 50/60Hz - 6h	4	IP44
500-2161	32	400V - 50/60Hz - 6h	5	IP44

APPLICATIONS

Residential / Hotel / General Purpose / Industrial

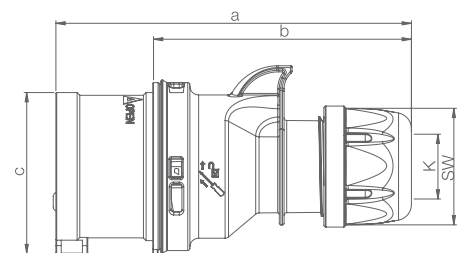
PRODUCT SPECIFICATIONS

Method of Application	: Movable
Method of Connecting Cables	: Rewireable
Type of Terminals	: Screw type
Method of Installation	: Fixed
Standard Complied	: IEC 60309 - 1 / IEC 60309 - 2
Materials	: Housing Material: PA6 Contacts: Nickel - plated



Current (A)		16		32	
Pole (P)		4	5	4	5
Dimension (mm)	a	128	134	150	155
	b	92	98	104	109
	c	53	61	63	70
Cable Ø [mm]	K	6-15	8-16	11,5-20	11,5-22
Connection Type		Screw terminal		Screw terminal	
Wire Flexible		1-2,5		2,5-6	
Class 5 or 6 [mm ²]					
Contact Screws [Ncm]		100 Ncm		110 Ncm	
SW		42	42	50	50
Weight [g]		131	154	204	236

• With screw terminals



PHASE INVERTER PLUGS

ITEM CODE	CURRENT(A)	RATED OPERATING VOLTAGE (V)	POLE	IP RATING
500-2162	16	400V - 50/60Hz - 6h	4	IP67
500-2163	16	400V - 50/60Hz - 6h	5	IP67
500-2164	32	400V - 50/60Hz - 6h	4	IP67
500-2165	32	400V - 50/60Hz - 6h	5	IP67

APPLICATIONS

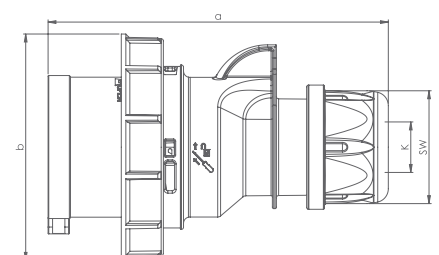
Residential / Hotel / General Purpose / Industrial

PRODUCT SPECIFICATIONS

Method of Application	: Movable
Method of Connecting Cables	: Rewireable
Type of Terminals	: Screw type
Method of Installation	: Fixed
Standard Complied	: IEC 60309 - 1 / IEC 60309 - 2
Materials	: Housing Material: PA6 Contacts: Nickel - plated



		16		32	
		4	5	4	5
Dimension (mm)	a	128	134	150	155
	b	79	87	93	100
Cable Ø [mm]	K	6-15	8-16	11,5-20	11,5-22
Connection Type		Screw terminal		Screw terminal	
Wire Flexible		1-2,5		2,5-6	
Class 5 or 6 [mm ²]					
Contact Screws [Ncm]		100 Ncm		110 Ncm	
SW		42	42	50	50
Weight [g]		153	183	245	280



PLUGS - 7 POLES

ITEM CODE	CURRENT(A)	RATED OPERATING VOLTAGE (V)	POLE	IP RATING
500-2166	16	400V - 50/60Hz - 6h	7	IP44 / IP54
500-2167	32	400V - 50/60Hz - 6h	7	IP44 / IP54

APPLICATIONS

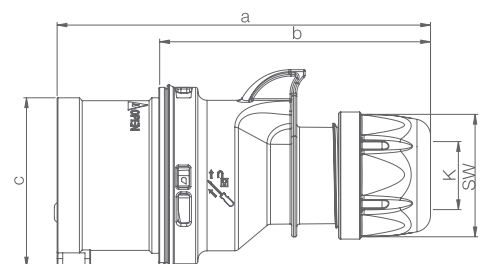
Residential / Hotel / General Purpose / Industrial

PRODUCT SPECIFICATIONS

Method of Application	: Movable
Method of Connecting Cables	: Rewireable
Type of Terminals	: Screw type
Method of Installation	: Fixed
Standard Complied	: IEC 60309 - 1
Materials	: Housing Material: PA6 Contacts: Nickel - plated



Current (A)	16	32	
Poles (P)	7	7	
Dimension (mm)	a	134	155
	b	98	109
	c	61	70
Cable Ø [mm]	K	8-16	11,5-22
Connection Type	Screw terminal	Screw terminal	
Wire Flexible [mm ²]	1-2,5	2,5-6	
Contact Screws [Ncm]	100 Ncm	110 Ncm	
SW	42	50	
Weight [g]	185	283	



SOCKETS 7-POLES

ITEM CODE	CURRENT(A)	RATED OPERATING VOLTAGE (V)	POLE	IP RATING
500-2168	16	400V - 50/60Hz - 6h	7	IP44 / IP54
500-2169	32	400V - 50/60Hz - 6h	7	IP44 / IP54

APPLICATIONS

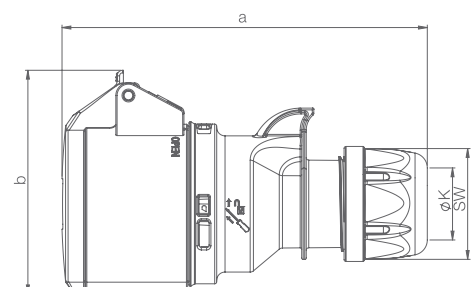
Residential / Hotel / General Purpose / Industrial

PRODUCT SPECIFICATIONS

Method of Application	: Movable
Method of Connecting Cables	: Rewireable
Type of Terminals	: Screw type
Method of Installation	: Fixed
Standard Complied	: IEC 60309 - 1
Materials	: Housing Material: PA6 Contacts: Nickel - plated



Current (A)		16	32
Poles (P)		7	7
Dimension (mm)	a	145	168
	b	89	99
Cable Ø [mm]	K	8-16	11,5-22
Connection Type		Screw terminal	Screw terminal
Wire Flexible [mm ²]		1-2,5	2,5-6
Contact Screws [Ncm]		100 Ncm	110 Ncm
SW		42	50
Weight [g]		210	310



FLANGED SOCKETS STRAIGHT - 7 POLES

ITEM CODE	CURRENT(A)	RATED OPERATING VOLTAGE (V)	POLE	IP RATING
500-2170	16	400V - 50/60Hz - 6h	7	IP44 / IP54
500-2171	32	400V - 50/60Hz - 6h	7	IP44 / IP54

APPLICATIONS

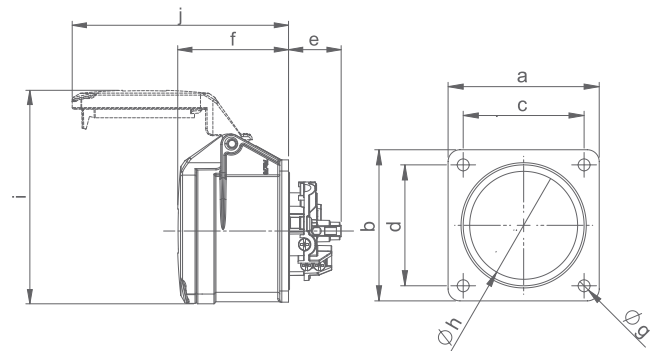
Residential / Hotel / General Purpose / Industrial

PRODUCT SPECIFICATIONS

Method of Application	: Flush
Method of Connecting Cables	: Rewireable
Type of Terminals	: Screw type
Method of Installation	: Fixed
Standard Complied	: IEC 60309 - 1
Materials	: Housing Material: PA6 Contacts: Nickel - plated



Current (A)	16	32	
Poles (P)	7	7	
Dimension (mm)	a	70	70
	b	70	70
	c	56	56
	d	56	56
	e	26	28
	f	55	67
	Ø g	5,5	5,5
Ø h	52	58	
Connection Type	Screw terminal	Screw terminal	
Wire Flexible [mm ²]	1-2,5	2,5-6	
Wire Solid [mm ²]	1-4	2,5-10	
Contact Screws [Ncm]	100 Ncm	110 Ncm	
Weight [g]	174	243	



WALL MOUNTED SOCKETS - 7 POLES

ITEM CODE	CURRENT(A)	RATED OPERATING VOLTAGE (V)	POLE	IP RATING
500-2172	16	400V - 50/60Hz - 6h	7	IP44 / IP54
500-2173	32	400V - 50/60Hz - 6h	7	IP44 / IP54

APPLICATIONS

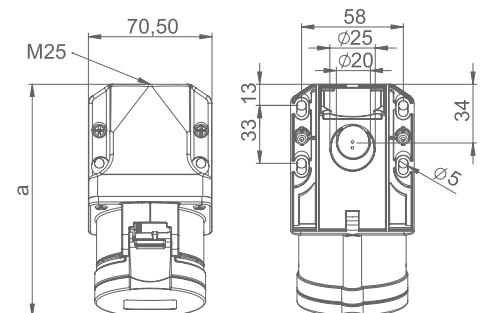
Residential / Hotel / General Purpose / Industrial

PRODUCT SPECIFICATIONS

Method of Application	: Surface mount
Method of Connecting Cables	: Rewireable
Type of Terminals	: Screw type
Method of Installation	: Fixed
Standard Complied	: IEC 60309 - 1
Materials	: Housing Material: PA6 Contacts: Nickel - plated



Current (A)	16	32
Poles (P)	7	7
Dimension (mm)	a 133 b 100 M 25	145 107 25
Connection Type	Screw terminal	Screw terminal
Wire Flexible [mm ²]	1-2,5	2,5-6
Wire Solid [mm ²]	1-4	2,5-10
Contact Screws [Ncm]	100 Ncm	110 Ncm
Weight [g]	261	330



b = height
angle = 15°

- Top and rear entry
- Included threaded cable grommet

WALL MOUNTED SOCKETS - 7 POLES

ITEM CODE	CURRENT(A)	RATED OPERATING VOLTAGE (V)	POLE	IP RATING
500-2174	32	400V - 50/60Hz - 6h	7	IP67

APPLICATIONS

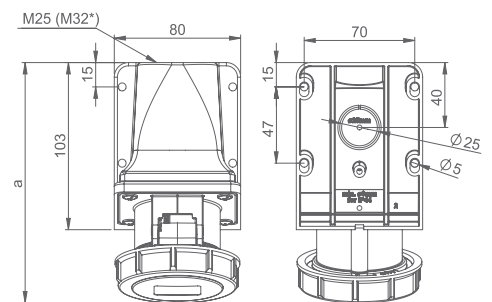
Residential / Hotel / General Purpose / Industrial

PRODUCT SPECIFICATIONS

Method of Application	: Surface mount
Method of Connecting Cables	: Rewireable
Type of Terminals	: Screw type
Method of Installation	: Fixed
Standard Complied	: IEC 60309 - 1
Materials	: Housing Material: PA6 Contacts: Nickel - plated



Current (A)	32
Poles (P)	7
Dimension (mm)	a 163 b 112 M 25
Connection Type	Screw terminal
Wire Flexible [mm ²]	2,5-6
Wire Solid [mm ²]	2,5-10
Contact Screws [Ncm]	110 Ncm
Weight [g]	390



b = height
angle = 15°

- Top and rear entry
- Included threaded bung

SAFETY RUBBER PLUGS

ITEM CODE	CURRENT(A)	RATED OPERATING VOLTAGE (V)	IP RATING
500-2175	16	250V - 50/60Hz	IP44

APPLICATIONS

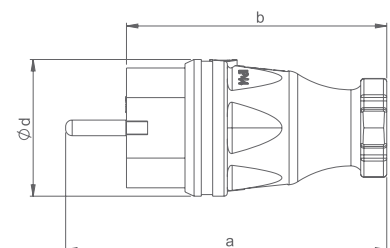
Residential / Hotel / General Purpose / Industrial

PRODUCT SPECIFICATIONS

Method of Application	: Movable
Method of Connecting Cables	: Rewireable
Type of Terminals	: Screw type
Method of Installation	: Fixed
Standard Complied	: IEC 60884 - 1 / DIN VDE 0620 - 2 - 1 ÖVE / ÖNORM E 8684 - 1
Materials	: Housing Material: Rubber Insert: Polyamide



Current (A)		16
Dimension (mm)	a	99
	b	80
	Ød	42



• According to Austrian / German system

SAFETY SOLID RUBBER PLUGS

ITEM CODE	CURRENT(A)	RATED OPERATING VOLTAGE (V)	IP RATING
500-2176	16	250V - 50/60Hz	IP44

APPLICATIONS

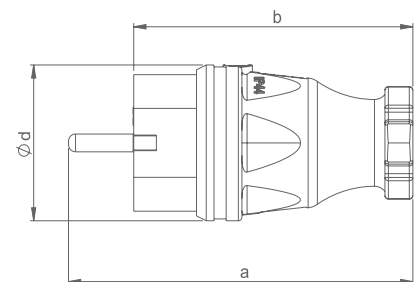
Residential / Hotel / General Purpose / Industrial

PRODUCT SPECIFICATIONS

Method of Application	: Movable
Method of Connecting Cables	: Rewireable
Type of Terminals	: Screw type
Method of Installation	: Fixed
Standard Complied	: ICE 60884 - 1 / DIN VDE 0620 - 2 - 1 ÖVE / ÖNORM E 8684 - 1
Materials	: Housing Material: Rubber Insert: Rubber



Current (A)		16
Dimension (mm)	a	99
	b	80
	Ød	42



• According to Austrian / German system

SAFETY RUBBER CONNECTORS

ITEM CODE	CURRENT(A)	RATED OPERATING VOLTAGE (V)	IP RATING
500-2177	16	250V - 50/60Hz	IP20

APPLICATIONS

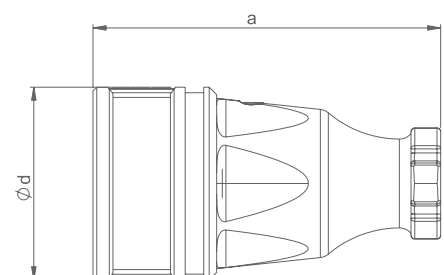
Residential / Hotel / General Purpose / Industrial

PRODUCT SPECIFICATIONS

Method of Application	: Movable
Method of Connecting Cables	: Rewireable
Type of Terminals	: Screw type
Method of Installation	: Fixed
Standard Complied	: IEC 60884 - 1/ DIN VDE 0620 - 2 - 1 ÖVE / ÖNORM E8684-1
Materials	: Housing Material: Solid Rubber Insert: Polyamide



Current (A)		16
Dimension (mm)	a	94
	Ød	52



• According to Austrian / German system

SAFETY SOLID RUBBER CONNECTORS

ITEM CODE	CURRENT(A)	RATED OPERATING VOLTAGE (V)	IP RATING
500-2178	16	250V - 50/60Hz	IP20

APPLICATIONS

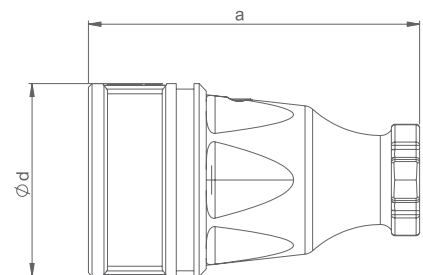
Residential / Hotel / General Purpose / Industrial

PRODUCT SPECIFICATIONS

Method of Application	: Movable
Method of Connecting Cables	: Rewireable
Type of Terminals	: Screw type
Method of Installation	: Fixed
Standard Complied	: IEC 60884 - 1 / DIN VDE 0620 - 2 - 1 ÖVE / ÖNORM E8684 - 1
Materials	: Housing Material: Rubber Insert: Rubber



Current (A)		16
Dimension (mm)	a	94
	Ød	52



• According to Austrian / German system

SAFETY RUBBER CONNECTORS WITH CAP

ITEM CODE	CURRENT(A)	RATED OPERATING VOLTAGE (V)	IP RATING
500-2179	16	250V - 50/60Hz	IP44

APPLICATIONS

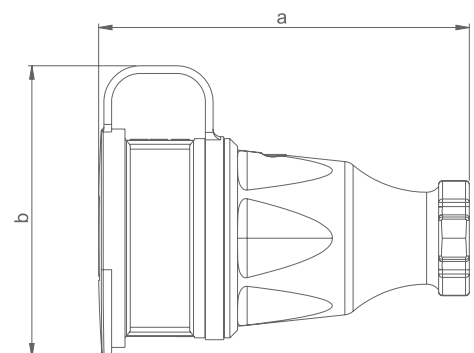
Residential / Hotel / General Purpose / Industrial

PRODUCT SPECIFICATIONS

Method of Application	: Movable
Method of Connecting Cables	: Rewireable
Type of Terminals	: Screw type
Method of Installation	: Fixed
Standard Complied	: IEC 60884 - 1 / DIN VDE 0620 - 2 - 1 ÖVE / ÖNORM E 8684 - 1
Materials	: Housing Material: Rubber Insert: Polyamide



Current (A)		16
Dimension (mm)	a	97
	b	76



• According to Austrian / German system • With cap

SAFETY SOLID RUBBER CONNECTORS WITH CAP

ITEM CODE	CURRENT(A)	RATED OPERATING VOLTAGE (V)	IP RATING
500-2180	16	250V - 50/60Hz	IP44

APPLICATIONS

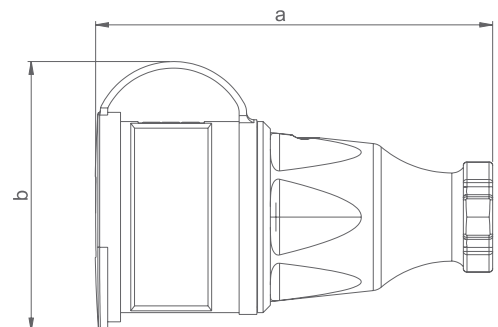
Residential / Hotel / General Purpose / Industrial

PRODUCT SPECIFICATIONS

Method of Application	: Movable
Method of Connecting Cables	: Rewireable
Type of Terminals	: Screw type
Method of Installation	: Fixed
Standard Complied	: IEC 60884 - 1 / DIN VDE 0620 - 2 - 1 ÖVE / ÖNORM E8684 - 1
Materials	: Housing Material: Rubber Insert: Rubber



Current (A)		16
Dimension (mm)	a	109
	b	74



• According to Austrian / German system • With cap

SAFETY SOLID RUBBER CONNECTORS WITH HINGED LID

ITEM CODE	CURRENT(A)	RATED OPERATING VOLTAGE (V)	IP RATING
500-2181	16	250V - 50/60Hz	IP44

APPLICATIONS

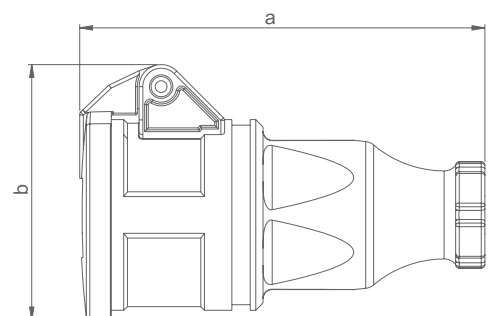
Residential / Hotel / General Purpose

PRODUCT SPECIFICATIONS

Method of Application	: Movable
Method of Connecting Cables	: Rewireable
Type of Terminals	: Screw type
Method of Installation	: Fixed
Standard Complied	: IEC 06884 - 1 / DIN VDE 0620 - 2 - 1 ÖVE / ÖNORM E8684 - 1
Materials	: Housing Material: Rubber Insert: Rubber



Current (A)		16
Dimension (mm)	a	111
	b	70



• According to Austrian / German system • With hinged lid

3 - WAY RUBBER CONNECTOR WITH CAP

ITEM CODE	CURRENT(A)	RATED OPERATING VOLTAGE (V)	IP RATING
500-2182	16	250V - 50/60Hz	IP44

APPLICATIONS

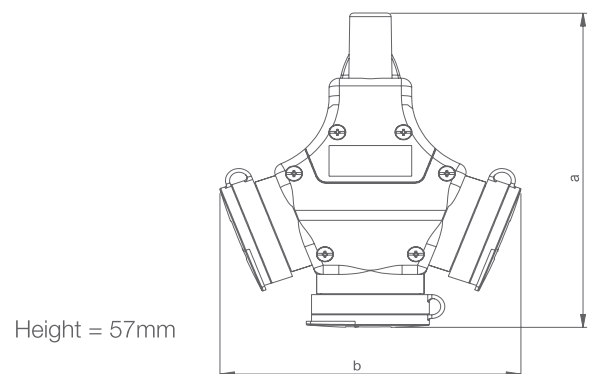
Residential / Hotel / General Purpose / Industrial

PRODUCT SPECIFICATIONS

Method of Application	: Movable
Method of Connecting Cables	: Rewireable
Type of Terminals	: Screw type
Method of Installation	: Fixed
Standard Complied	: IEC 60884 - 1 / DIN VDE 0620 - 2 - 1 ÖVE / ÖNORM E8684 - 1
Materials	: Housing Material: Rubber Insert: Polyamide



Current (A)		16
Dimension (mm)	a	172
	b	146



- According to Austrian / German system
- With cap
- Ready wired on main terminal

3 - WAY RUBBER CONNECTOR WITH HINGED LID

ITEM CODE	CURRENT(A)	RATED OPERATING VOLTAGE (V)	IP RATING
500-2183	16	250V - 50/60Hz	IP44

APPLICATIONS

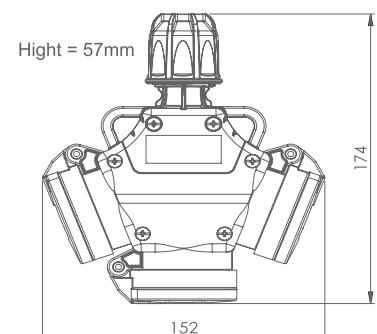
Residential / Hotel / General Purpose / Industrial

PRODUCT SPECIFICATIONS

Method of Application	: Movable
Method of Connecting Cables	: Rewireable
Type of Terminals	: Screw type
Method of Installation	: Fixed
Standard Complied	: IEC 60884 - 1 / DIN VDE 0620 - 2 - 1 ÖVE / ÖNORM E 8684 - 1
Materials	: Housing Material: Rubber Insert : Rubber



Current (A)		16
Dimension (mm)	a	174
	b	152



- According to Austrian / German system
- With hinged lid
- Ready wired on main terminal
- External centric cable gland

SOCKET OUTLETS AUSTRIAN / GERMAN SYSTEM (SCHUKO)

ITEM CODE	CURRENT(A)	RATED OPERATING VOLTAGE (V)	POLE	CONNECTION TYPE	IP RATING
500-2184	16	250V - 50/60Hz	2+E	Rear	IP54
500-2185	16	250V - 50/60Hz	2+E	Side	IP54

APPLICATIONS

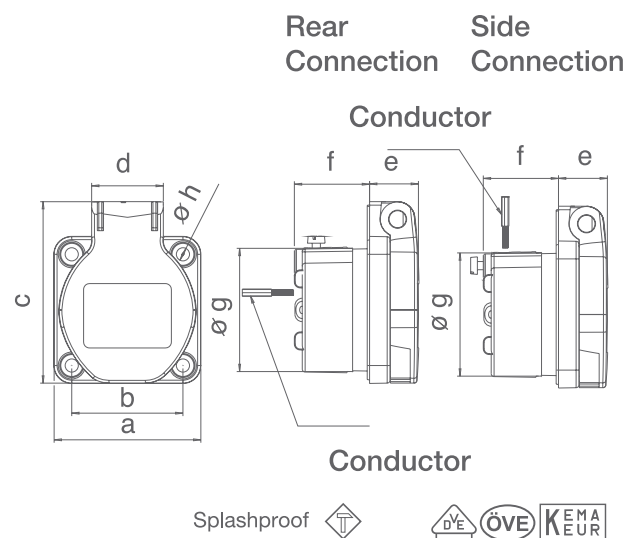
Residential / Hotel / General Purpose / Industrial

PRODUCT SPECIFICATIONS

Method of Application	: Flush
Method of Connecting Cables	: Rewireable
Type of Terminals	: Screw type
Method of Installation	: Fixed
Standard Complied	: IEC 60884 - 1 / IEC 60884 - 2 - 2 / DIN VDE 0620 - 1 ÖVE / ÖNORM E8684 - 1 / ÖVE / ÖNORM E8684 - 2 - 2
Materials	: Housing Material: PA 6 Contacts: Nickel - plated



Current (A)	16
Poles (P)	2P + E
a	50
b	38
c	62
Dimension (mm)	d 25
e	17
f	26
g	43
h	4,2
Connection Type	Screw contact
Wire Flexible [mm ²]	1-2 x 2,5
Wire Solid [mm ²]	1-2 x 2,5
Contact Screws [Ncm]	80
Weight [g]	45



Splashproof

SOCKET OUTLETS AUSTRIAN / GERMAN SYSTEM (SCHUKO)

ITEM CODE	CURRENT(A)	RATED OPERATING VOLTAGE (V)	POLE	CONNECTION TYPE	IP RATING
500-2186	16	250V - 50/60Hz	2+E	Rear	IP54

APPLICATIONS

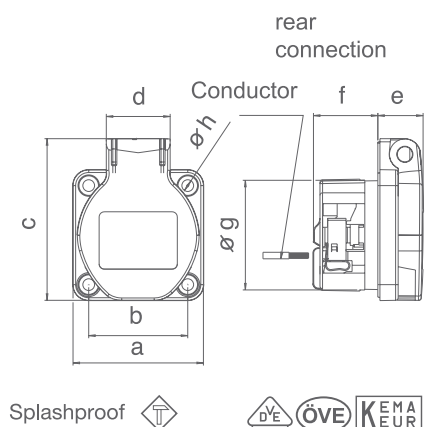
Residential / Hotel / General Purpose / Industrial

PRODUCT SPECIFICATIONS

Method of Application	: Flush
Method of Connecting Cables	: Rewireable
Type of Terminals	: Screwless spring clamp
Method of Installation	: Fixed
Standard Complied	: IEC 60884-1 / IEC 60884-2-2 / VDE 0620-1 ÖVE / ÖNOROM E8684-1 / ÖVE / ÖNOROM E8684-2-2
Materials	: Housing Material: PA6 Contacts: Nickel - plated



Current (A)	16	
Pole (P)	2P + E	
Dimension (mm)	a	50
	b	38
	c	62
	d	25
	e	17
	f	26
	g	43
	h	4,2
Connection Type	Screwless	
Wire Flexible [mm ²]	1-2 x 2,5	
Wire Solid [mm ²]	1-2 x 2,5	
Weight [g]	43	



Splashproof



- Screwless connection technology

CEE PLUG AND SOCKET OUTLET ADAPTER

ITEM CODE	CURRENT(A)	RATED OPERATING VOLTAGE (V)	POLE	IP RATING
500-2187	16	230V/250V - 50/60Hz	3	IP44

APPLICATIONS

Residential / Hotel / General Purpose / Industrial

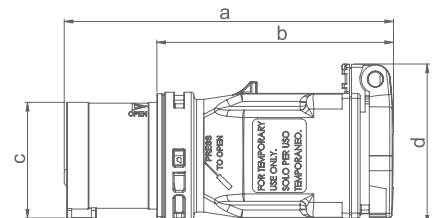
PRODUCT SPECIFICATIONS

Method of Application	: Movable
Method of Connecting Cables	: Rewireable
Type of Terminals	: Screw type
Method of Installation	: Fixed
Standard Complied	: EN 50250
Materials	: Contacts: Nickel - plated
Entry	: 1 CEE - Plug 16A 3P 230V
Outlet	: 1 Safety socket 16A 250V



Current (A)	16	
Poles (P)	3	
Dimension (mm)	a	134
	b	96
	c	47
	d	65

height = 52mm



- German type socket

CEE SOCKET OUTLET ADAPTOR

ITEM CODE	CURRENT(A)	RATED OPERATING VOLTAGE (V)	POLE	IP RATING
500-2188	16	230V/250V - 50/60Hz	2P+E	IP20

APPLICATIONS

Residential / Hotel / General Purpose / Industrial

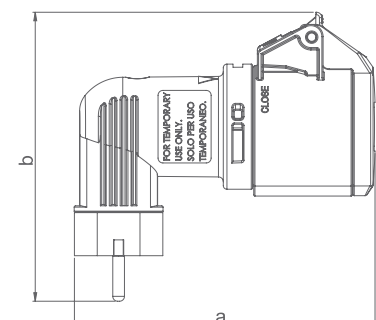
PRODUCT SPECIFICATIONS

Method of Application	: Movable
Method of Connecting Cables	: Rewireable
Type of Terminals	: Screw type
Method of Installation	: Fixed
Standard Complied	: IEC 60884 - 1
Materials	: Contacts: Nickel - plated
Entry	: 1 Plug 16A 2P+E 250V (dual earthing system)
Outlet	: 1 CEE - Socket 16A 3P 230V



Current (A)		16
Poles (P)		2P+E
Dimension (mm)	a	124
	b	119

height = 52mm



MULTIPLE - SOCKET OUTLET

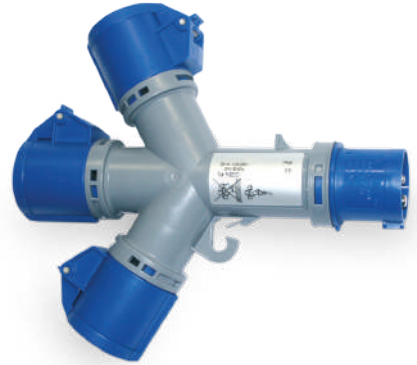
ITEM CODE	CURRENT(A)	RATED OPERATING VOLTAGE (V)	POLE	IP RATING
500-2189	16	230V - 50/60Hz	3	IP44

APPLICATIONS

Residential / Hotel / General Purpose / Industrial

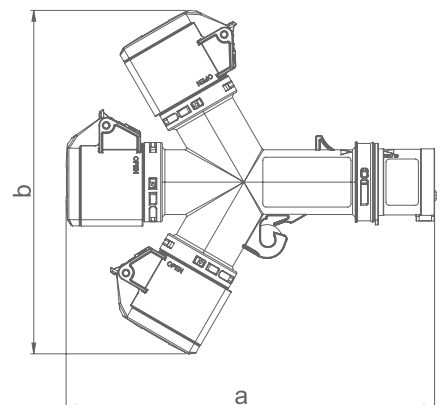
PRODUCT SPECIFICATIONS

Method of Application	: Movable
Method of Connecting Cables	: Rewireable
Type of Terminals	: Screw type
Method of Installation	: Fixed
Standard Complied	: IEC 60309 - 1 / IEC 60309 - 2
Materials	: Contacts: Nickel - plated contacts
Entry	: 1 CEE - Plug 16A 3P 230V
Outlet	: 3 CEE - Sockets 16A 3P 230V



Current (A)		16
Poles (P)		3
Dimension (mm)	a	240
	b	223

height = 52mm



OREL



 Orel Regional Offices

 Export Distributor Points

We are in **27 countries**,
employing **3685 personnel**,
empowering **59000 business partners**
across **6 continents**



OUR REGIONAL HEADQUARTERS

ASIA

OREL South East Asia

7, Gambas Crescent, #01-25 ARK @ Gambas,
Singapore 757087.

Phone: +65 6970 5547 **E-Mail:** sea@orelcorp.com

OREL South Asia

A 74 FIEE Complex, OKHLA Industrial Area – Phase 2,
New Delhi – 110020, India.

Phone: +91 114 106 9843 **E-Mail:** sa@orelcorp.com

OREL Corporation

No.49, Sri Jinarathana Road, Colombo 02, Sri Lanka.

Phone: +94 114 792 100 | 166 **E-Mail:** sl@orelcorp.com

North America

OREL North America

16192 Coastal Highway, Lewes, DE 19958,
County of Sussex, U.S.A.

Phone: +13 059 447 710 **E-Mail:** usa@orelcorp.com

Middle East

OREL Middle East FZC

503 Business Point 1, Port Saeed, Deira,
Dubai, U.A.E.

Phone: +971 4388 8722 **E-Mail:** me@orelcorp.com

